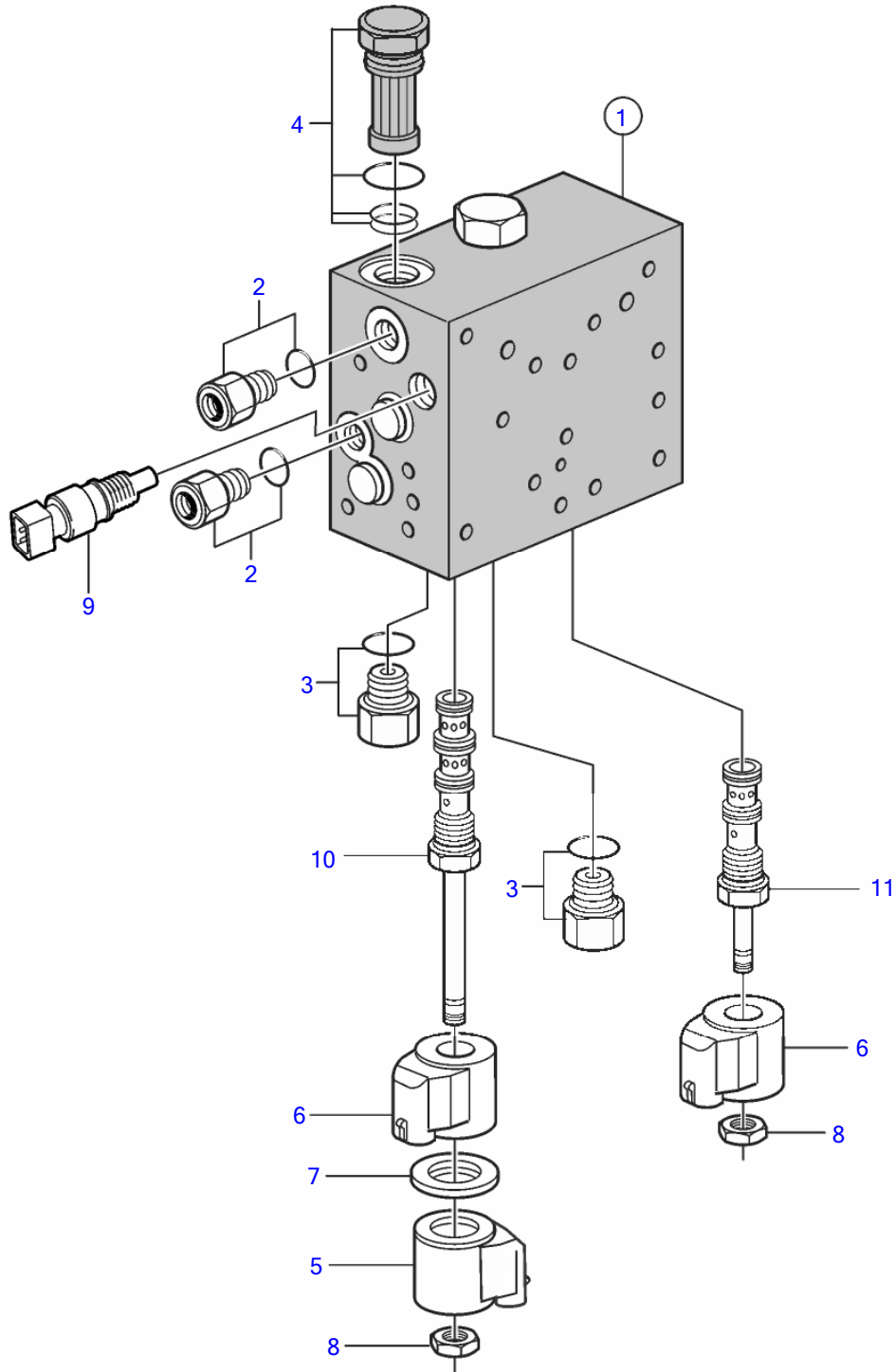


V8-300-E-A, V8-320-E-A



27406

V8-300-E-A, V8-320-E-A

| REF | PART NO. | QTY | DESCRIPTION | NOTES |
|-----|----------|-----|-----------------------|--|
| 1 | | X | | Shaded parts show changes from earlier design. |
| | 21445595 | 1 | Valve | second design, introduced Jan. 2011, ser. no. A155443 and higher |
| 2 | 21199274 | 2 | • Nipple | |
| | | 2 | • • O-ring | not sold separately |
| 3 | 3859043 | 2 | • Fitting | |
| | 3859042 | 2 | • • O-ring | |
| 4 | 21584276 | 1 | • Filter | changed from earlier design |
| | | 3 | • • • O-ring | not sold separately |
| 5 | 21314061 | 1 | • Solenoid | |
| 6 | 21314064 | 2 | • Solenoid | |
| 7 | | 1 | • Washer | not sold separately |
| 8 | | 2 | • Nut | not sold separately |
| 9 | 3850397 | 1 | • Switch, temperature | |
| 10 | | 1 | Valve | |
| | | 1 | • O-ring | not sold separately |
| 11 | 22141353 | 1 | Valve | |
| | | 1 | • O-ring | not sold separately |