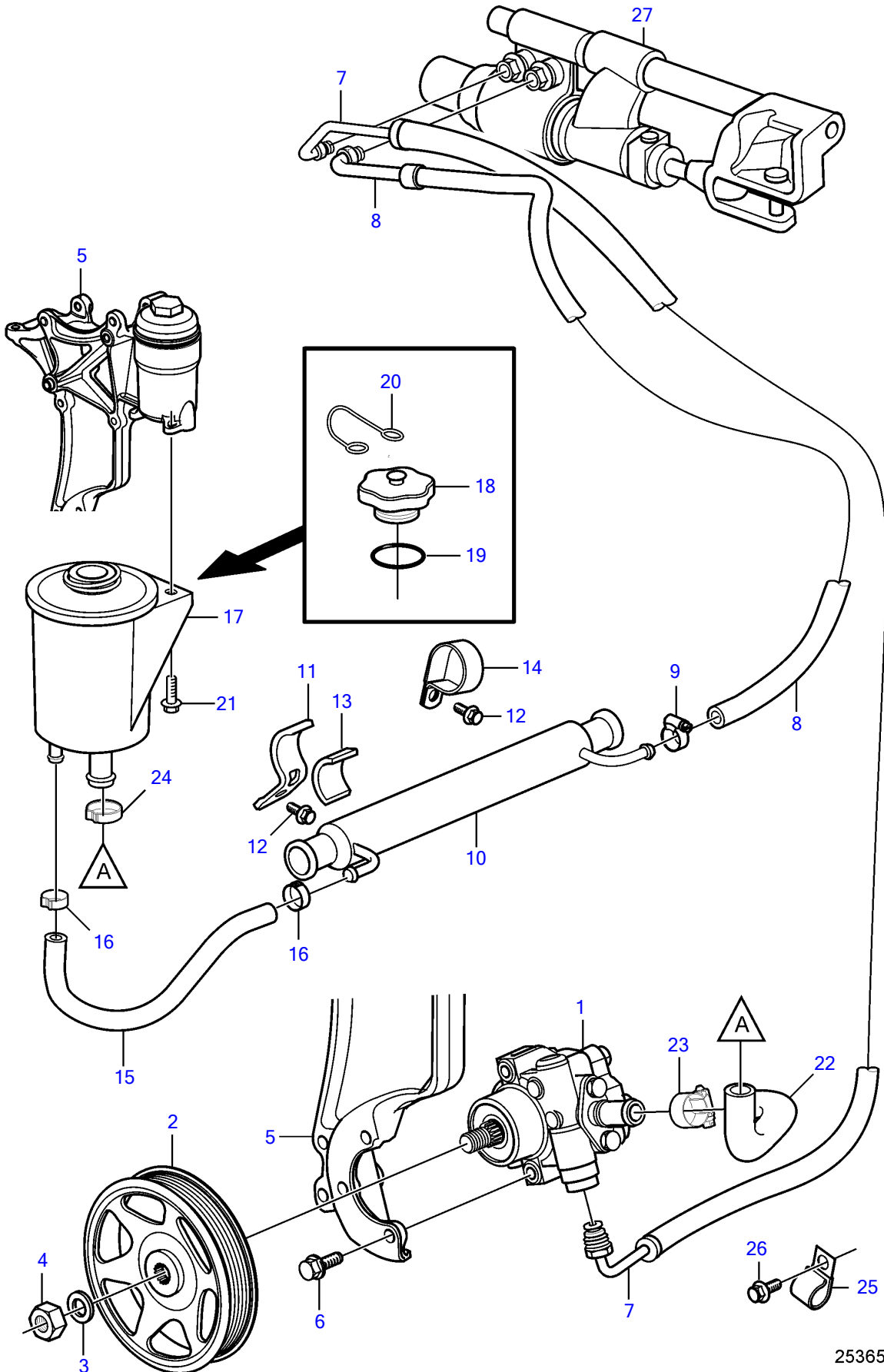


V8-300-E-A, V8-320-E-A



25365

Upd:2014-07-01

25365

47702829-64-36229

V8-300-E-A, V8-320-E-A

REF	PART NO.	QTY	DESCRIPTION	NOTES
1	3887373	1	Power steering pump	
2	3889611	1	Pulley	
3	3889615	1	Washer	
4	3889613	1	Nut	
5	21573817	1	Bracket	
6	3595494	3	Screw	
7	3888739	1	Hose assembly	
8	21452588	1	Hose assembly	
9	3860413	1	Hose clamp	
10	21399019	1	Hydraulic oil cooler	
11	21434106	1	Bracket	Replaced by 3852490
12	3853393	1	Flange screw	
13	21434108	1	Support rubber	
14	3852490	1	Attaching clamp	
15	21399023	1	Hose	
16	982663	2	Hose clamp	
17	3887375	1	Reservoir	
18		1	• Cap	not sold separately
19		1	• O-ring	not sold separately
20		1	• Retainer	not sold separately
21	946544	2	Flange screw	
22	21355283	2	Hose	
23	3853794	2	Hose clamp	
24	980038	1	Hose clamp	replaced by next part number
		1	Hose clamp	
25	(984038)	1	Clamp, J	Obsolete part
26	(3853557)	1	Flange screw	Obsolete part, 3/8" - 16 unc, L=0.75" (19mm)
27		1	Steering cylinder	See drive catalog

47702829-64-36229

25365

Upd:2014-07-01

V8-300-E-A, V8-320-E-A

VOLVO
PENTA