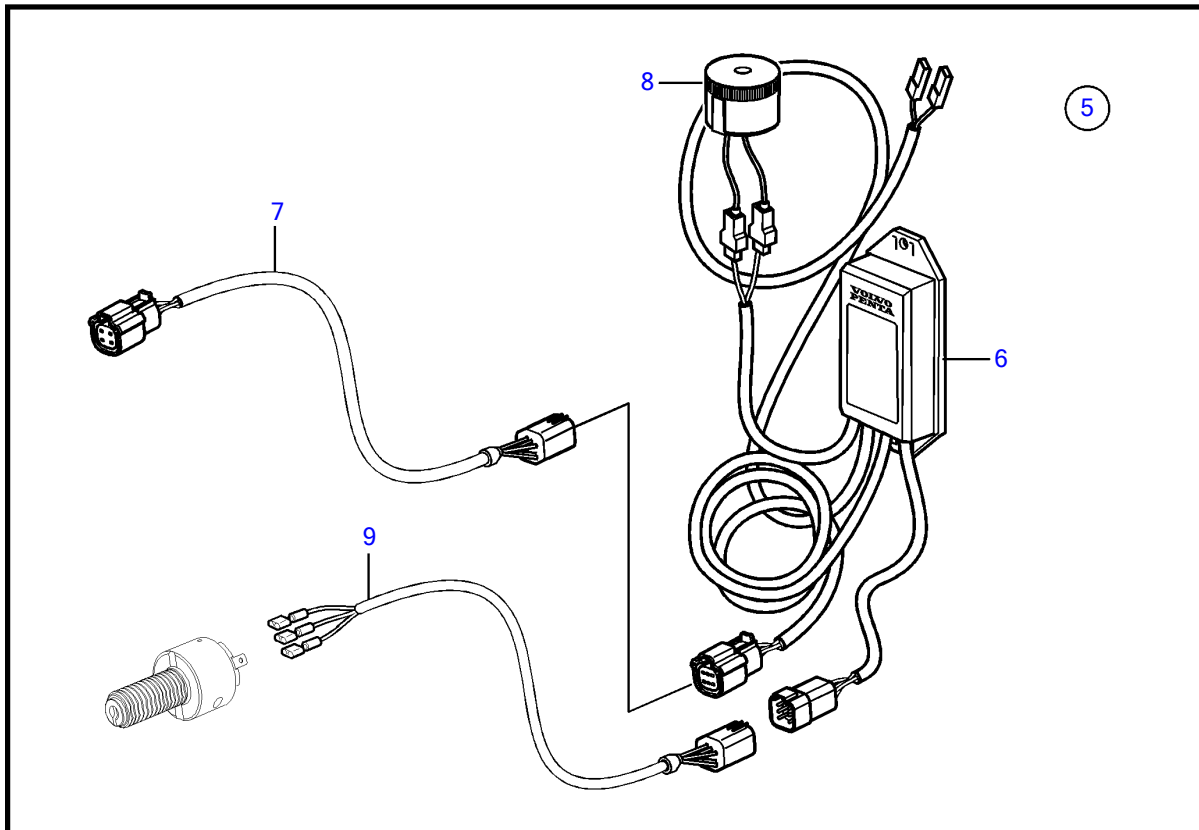
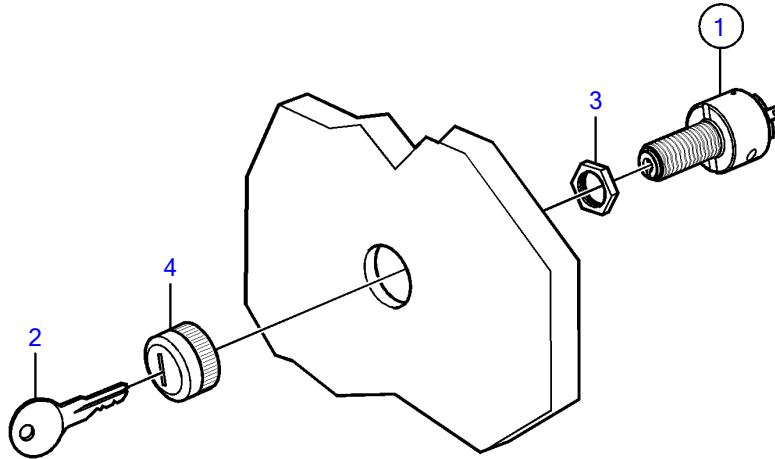


V8-300-E-A, V8-320-E-A



V8-300-E-A, V8-320-E-A

REF	PART NO.	QTY	DESCRIPTION	NOTES
1	856659	1	Starter switch	
2		2	• Key	not sold separately
3		1	• Nut	not sold separately
4		1	• Front ring	not sold separately
5	21461496	1	Network adapter	Analogue key interface
6		1	• Network adapter	not sold separately
7	21421946	1	• Cable	To starboard key
8	3817974	1	Alarm	
9	21542459	1	Wiring harness	Key switch