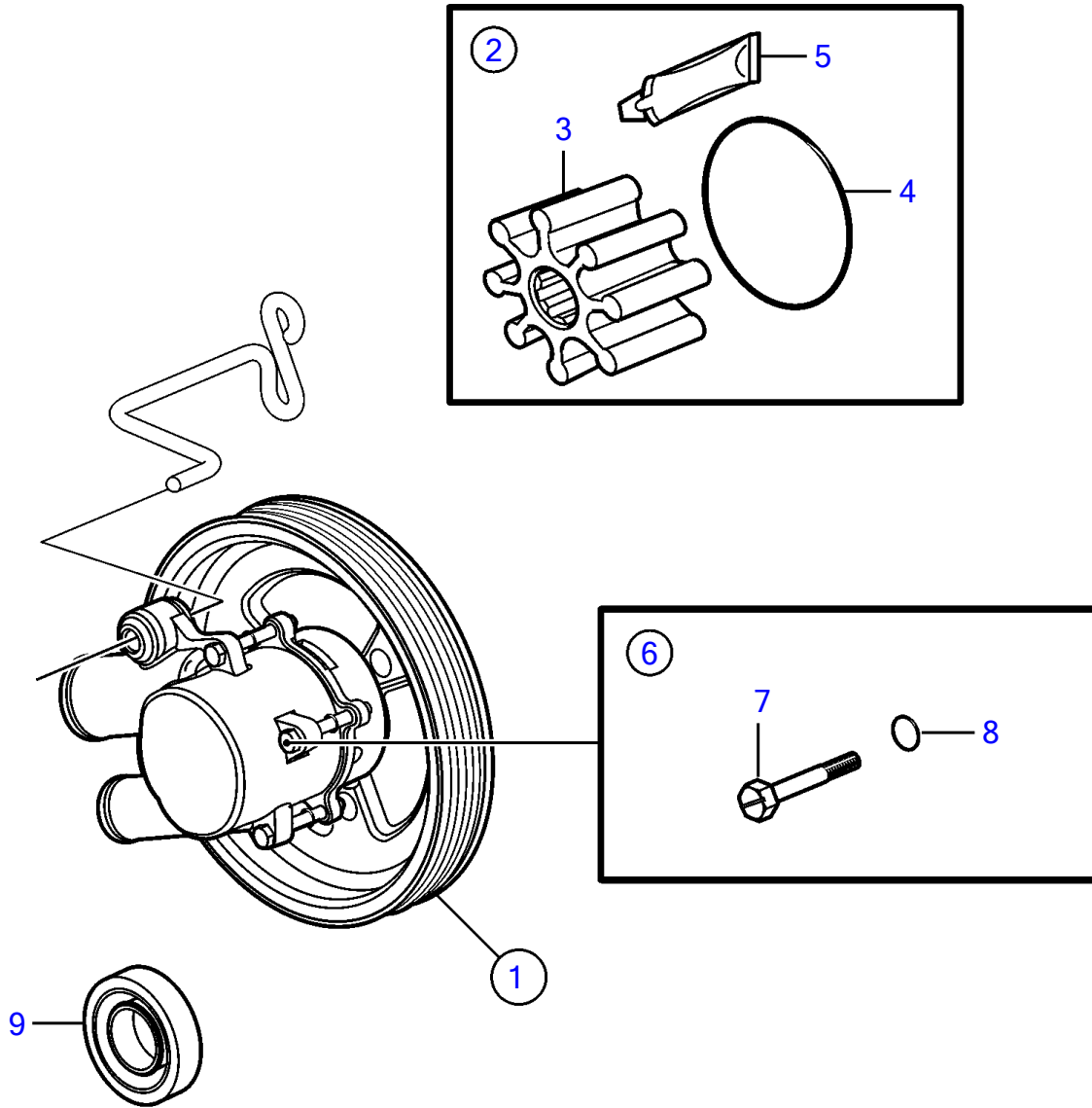


V8-300-E-A, V8-320-E-A



V8-300-E-A, V8-320-E-A

REF	PART NO.	QTY	DESCRIPTION	NOTES
1	21212799	1	Pump	
2	21213664	1	Impeller kit	replaces 3842786 for gas engines
3	21212794	1	▪ Impeller	
4	3858938	1	▪ O-ring	
5		1	▪ Lubricant, glycerin	not sold separately
6	21951332	1	Screw kit	
7		4	▪ Screw	not sold separately
8		4	▪ O-ring	not sold separately
9	827247	1	Sealing ring	