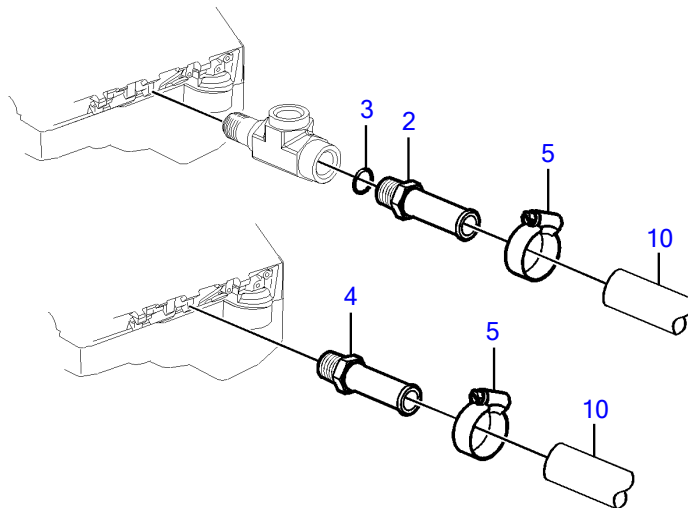
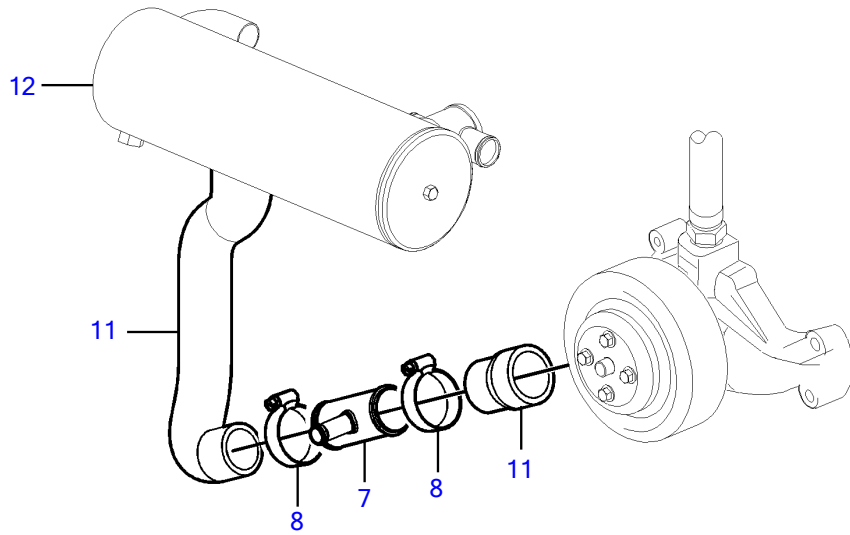
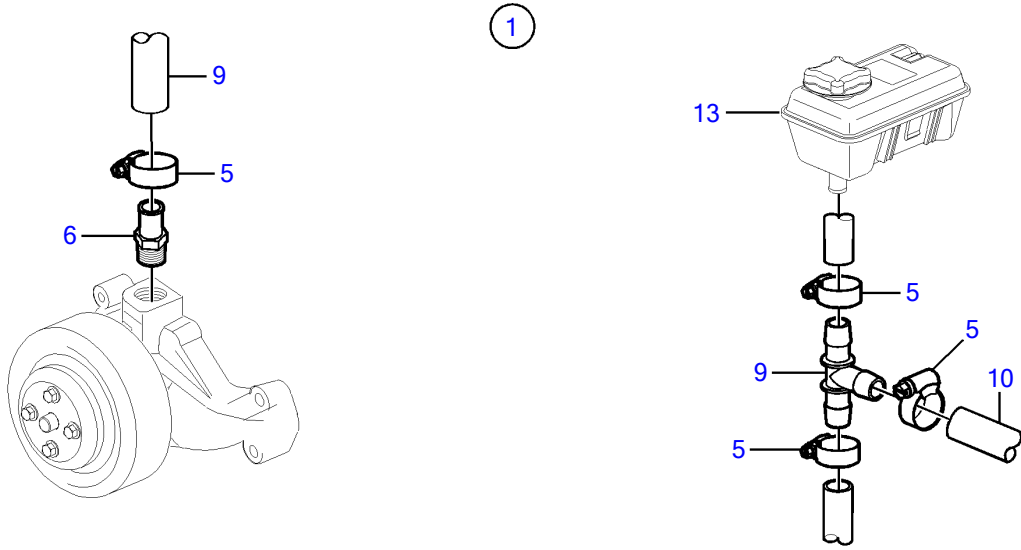


V8-300-E-A, V8-320-E-A



V8-300-E-A, V8-320-E-A

REF	PART NO.	QTY	DESCRIPTION	NOTES
1	21527832	1	Kit	Kit has other parts that are not used on this engine
2	40005443	1	• Nipple	7/16" - 14 unc
3	976970	1	• • O-ring	
4	856483	1	• Hose connection	1/4"-18 NPTF
5	3852602	4	• Hose clamp	
6	3818035	1	• Fitting	
7	3863068	1	• T-pipe	
8	3854978	2	• Hose clamp	
9	3860613	1	• T-nipple	
10		X	Hose, heater	Hose not supplied with kit.
11		X	Hose	Cut, Circulation pump to heat exchanger
12		X	Heat exchanger	
13		X	Expansion tank	

47702829-26-36237

25377

Upd:2014-07-01

V8-300-E-A, V8-320-E-A

VOLVO
PENTA