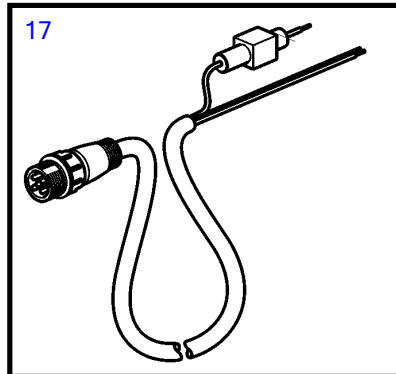
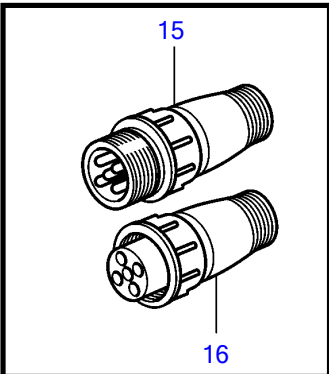
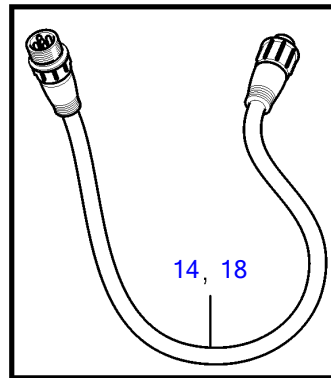
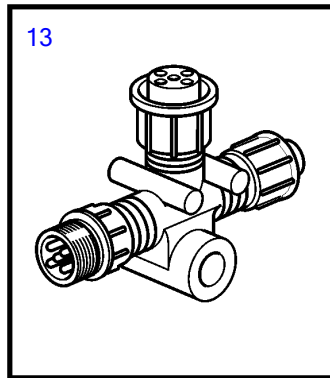
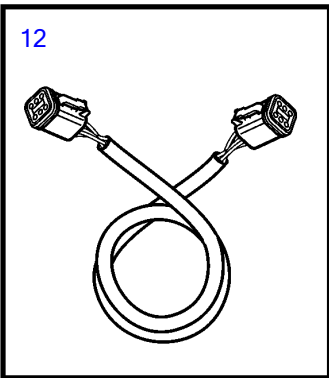
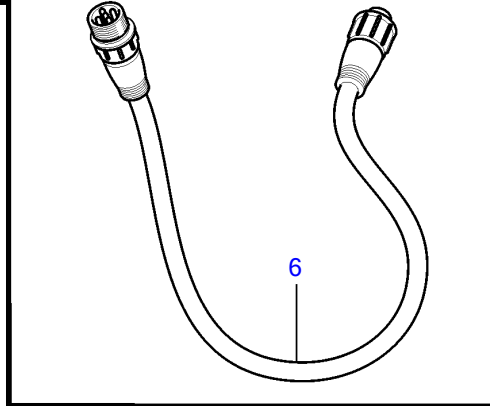
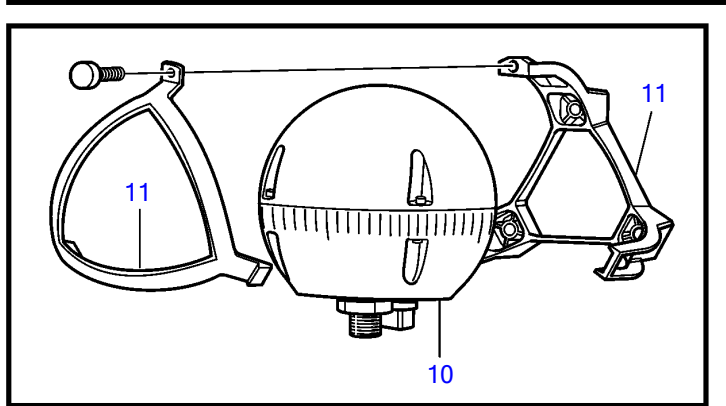
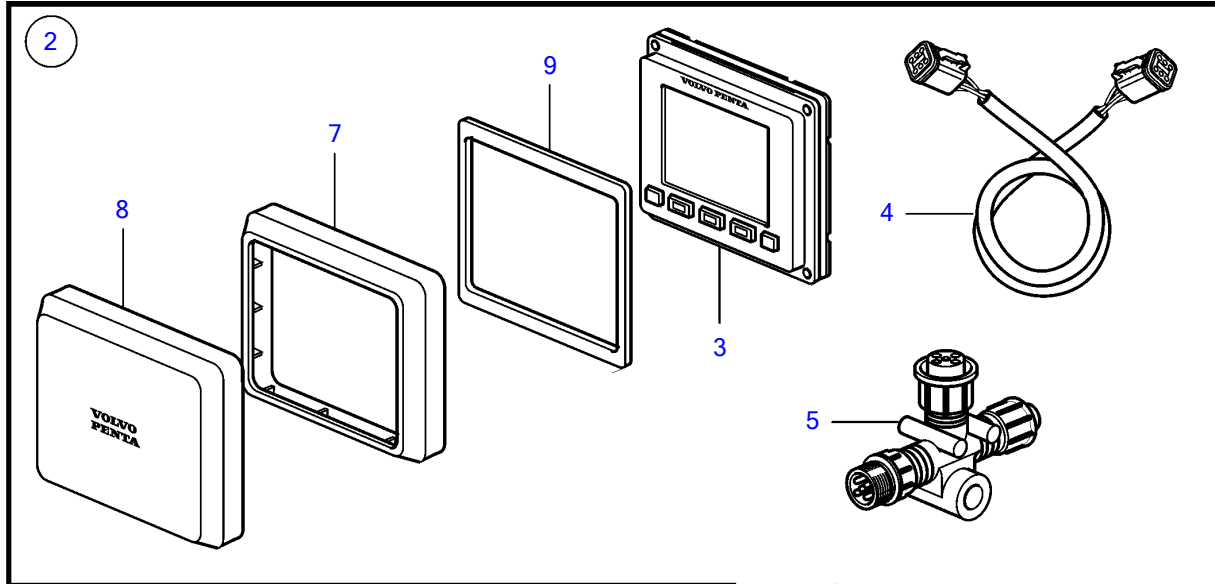


V8-270-CE-B



1

V8-270-CE-B

| REF | PART NO. | QTY | DESCRIPTION | NOTES |
|-----|----------|-----|----------------------|--------|
| 1 | | 1 | Auto pilot | |
| 2 | | 1 | • Auto pilot display | |
| 3 | 21812273 | 1 | • • Display | |
| 4 | 3886666 | 1 | • • Cable | |
| 5 | 21812195 | 1 | • • Connector | |
| 6 | 21812194 | 1 | • • Cable | |
| 7 | 21611210 | 1 | • • Frame | |
| 8 | 21611208 | 1 | • • Cover | |
| 9 | 21693705 | 1 | • • Gasket | |
| 10 | 21812209 | 1 | • Compass kit | |
| 11 | 21812274 | 1 | • Bracket | |
| 12 | 3886666 | 1 | • Cable | |
| 13 | 21812195 | 2 | • Connector | |
| 14 | 21812194 | 1 | • Cable | |
| 15 | 21812196 | 1 | • Connector | |
| 16 | 21812203 | 1 | • Connector | |
| 17 | 21812205 | 1 | • Cable | |
| 18 | 21812185 | 1 | Cable | L=0,3m |
| | 21867150 | 1 | Cable | L=4m |
| | 21867151 | 1 | Cable | L=6m |
| | 21867152 | 1 | Cable | L=10m |