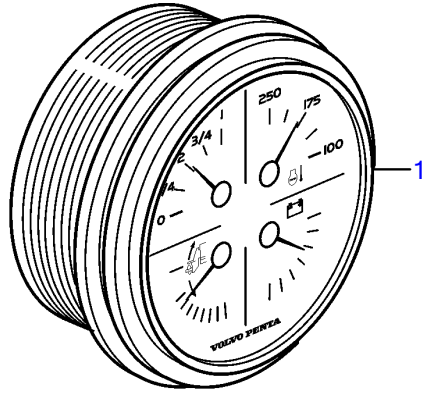
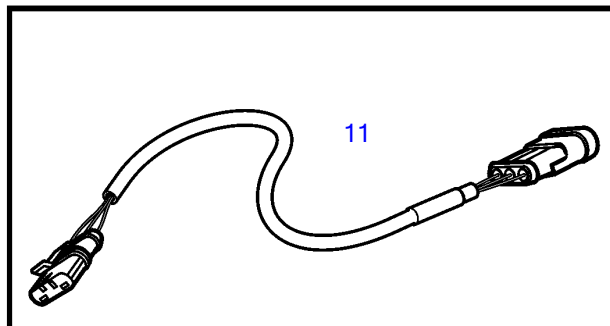
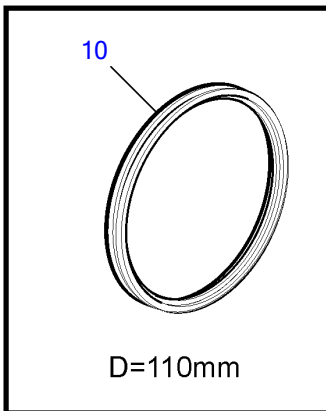
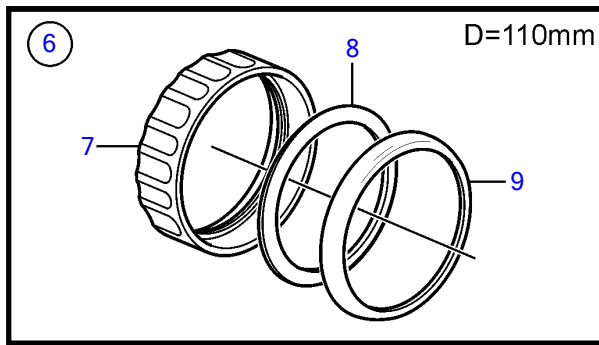
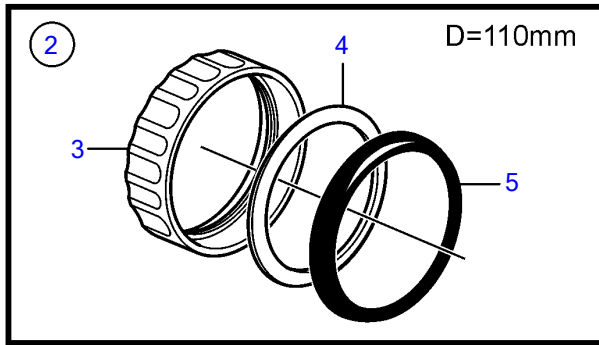


V8-225-CE-A, V8-300-CE-A, V8-320-CE-A



D=110mm



## V8-225-CE-A, V8-300-CE-A, V8-320-CE-A

REF	PART NO.	QTY	DESCRIPTION	SEE SEC.	NOTES
1	3885214	1	Instrument		Oil pressure, coolant temp, fuel level, volt meter, White
			• Bulletin P-36-9-3	P-36-9-3-EN	New products in the EVC family
1	3885215	1	Instrument		Trim (analog), coolant temp, fuel level, volt meter, White
			• Bulletin P-36-9-3	P-36-9-3-EN	New products in the EVC family
1	3847876	1	Instrument		Oil pressure, coolant temp, fuel level, volt meter, Black
			• Bulletin P-36-9-3	P-36-9-3-EN	New products in the EVC family
1	3847879	1	Instrument		Trim (analog), coolant temp, fuel level, volt meter, Black
			• Bulletin P-36-9-3	P-36-9-3-EN	New products in the EVC family
2	3847888	1	Mounting kit		Black
			• Bulletin P-36-9-3	P-36-9-3-EN	New products in the EVC family
3	(3884098)	1	• Attaching ring		Obsolete part
4	3884103	1	• Gasket		
5	3847887	1	• Ring		
6	3885216	1	Mounting kit		Chrome
			• Bulletin P-36-9-3	P-36-9-3-EN	New products in the EVC family
7	(3884098)	1	• Attaching ring		Obsolete part
8	3884103	1	• Gasket		
9	3884096	1	• Ring		
10	3886791	1	X-ring		For flush mounting.
			• Bulletin P-36-9-3	P-36-9-3-EN	New products in the EVC family
11	874759	1	Extension cable\verl		L=1000mm
	3807043	1	Extension cable\verl		L=3000mm

47702833-30-22182

24013

Upd:2014-07-01