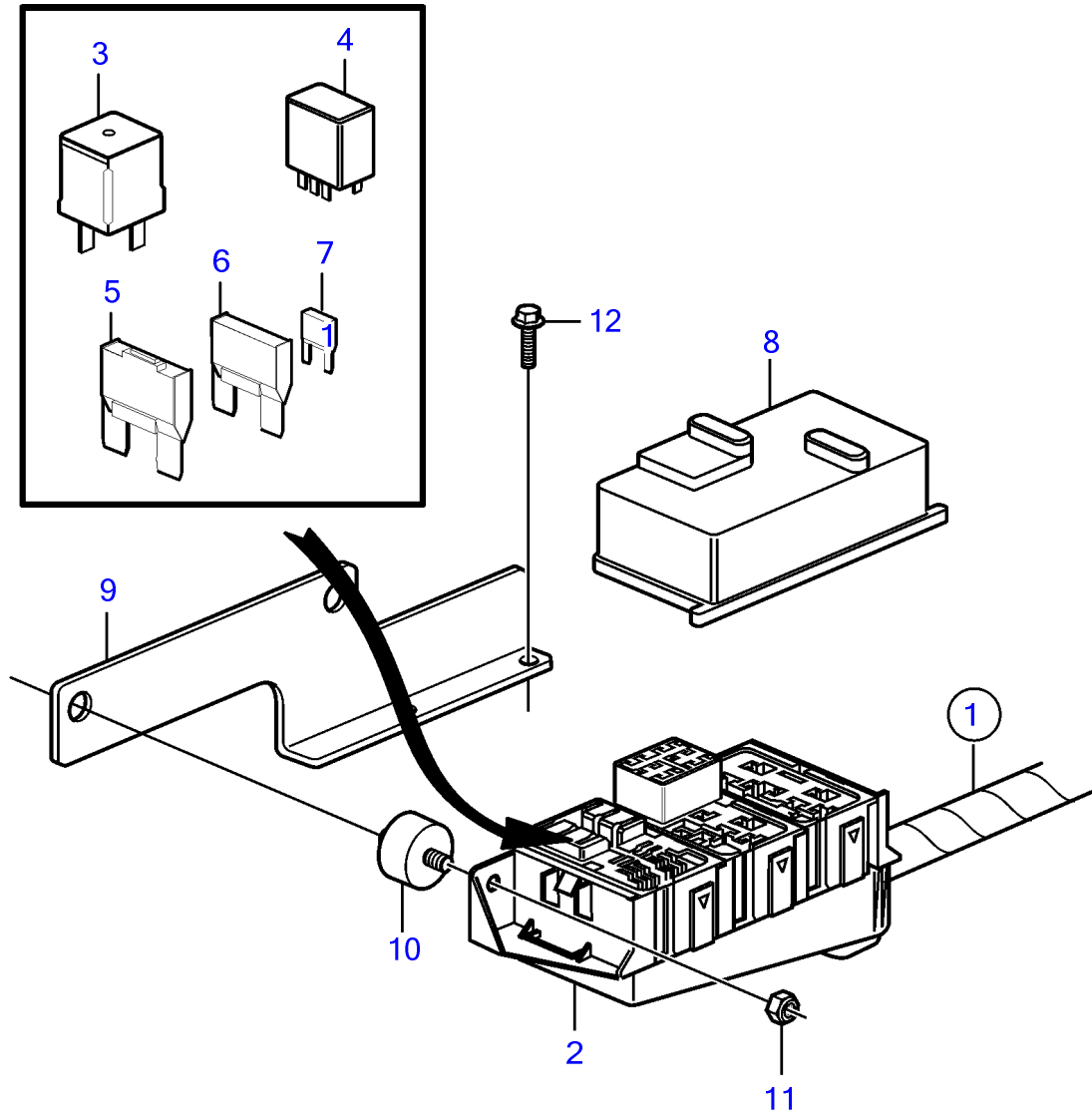


V8-225-CE-A, V8-300-CE-A, V8-320-CE-A



V8-225-CE-A, V8-300-CE-A, V8-320-CE-A

REF	PART NO.	QTY	DESCRIPTION	NOTES
1	21512120	1	Wiring harness	
2		1	• Fuse box	not sold separately
3	3858809	3	• Relay	
4	3841366	2	• Relay	
5	3884849	1	• Fuse	40A
6	3841370	1	• Fuse	20A
	3841371	1	• Fuse	40A
7	3841373	1	• Fuse	5A
	3863403	1	• Fuse	7.5A
	3841372	1	• Fuse	10A
	3861373	1	• Fuse	15A
	3861374	1	• Fuse	20A
8		1	• Cover plate	not sold separately
9		1	Bracket	
10	3840402	2	Mounting base	
11	3852118	2	Nut	
12	946544	2	Flange screw	