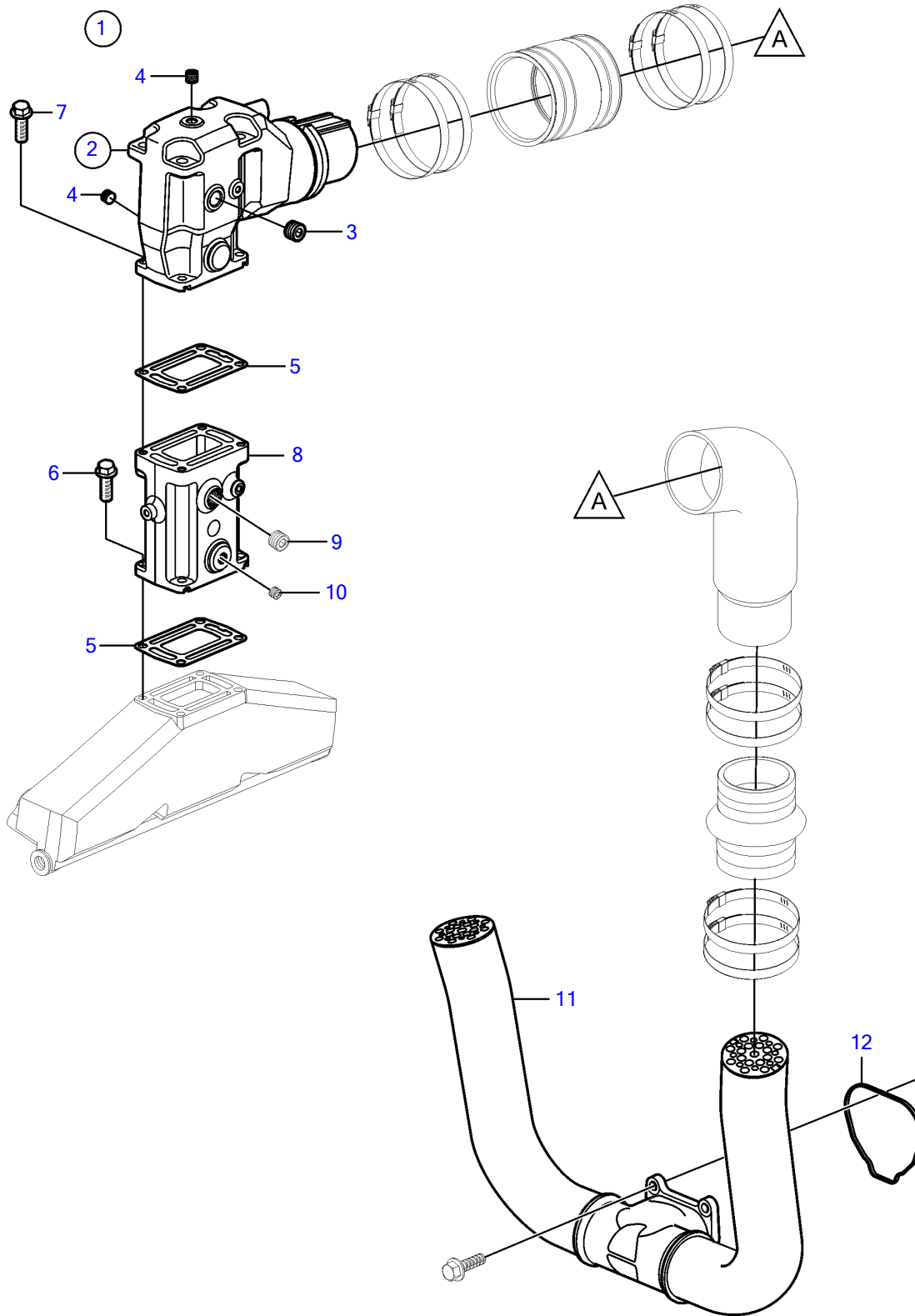


V6-200-A, V6-225-A



V6-200-A, V6-225-A

| REF | PART NO. | QTY | DESCRIPTION | SEE SEC. | NOTES |
|-----|----------|-----|------------------------|-------------|--|
| 1 | 40005141 | 1 | Kit | | See exhaust section for mounting parts |
| 2 | 3863061 | 2 | • Exhaust pipe kit | | |
| | | | • Bulletin P-25-1-5 | P-25-1-5-EN | Riser Extension Kit |
| | | | • Bulletin P-25-1-4 | P-25-1-4-EN | Tall Riser Options |
| 3 | 3850999 | 4 | • • Plug | | |
| 4 | 3850740 | 4 | • • Plug | | |
| 5 | 3863191 | 2 | • Kit | | |
| | | 4 | • • Gasket | | Not sold separately |
| 6 | 3887488 | 8 | • Flange screw | | |
| 7 | 3887488 | 8 | • Flange screw | | |
| 8 | 3842853 | 2 | • Exhaust pipe extensi | | |
| | | | • Bulletin P-25-1-4 | P-25-1-4-EN | Tall Riser Options |
| 9 | 3850999 | 4 | • • Plug | | |
| 10 | 3850740 | 4 | • • Plug | | |
| 11 | 3888687 | 1 | • Exhaust pipe | | |
| 12 | 3841013 | 1 | • Gasket | | |