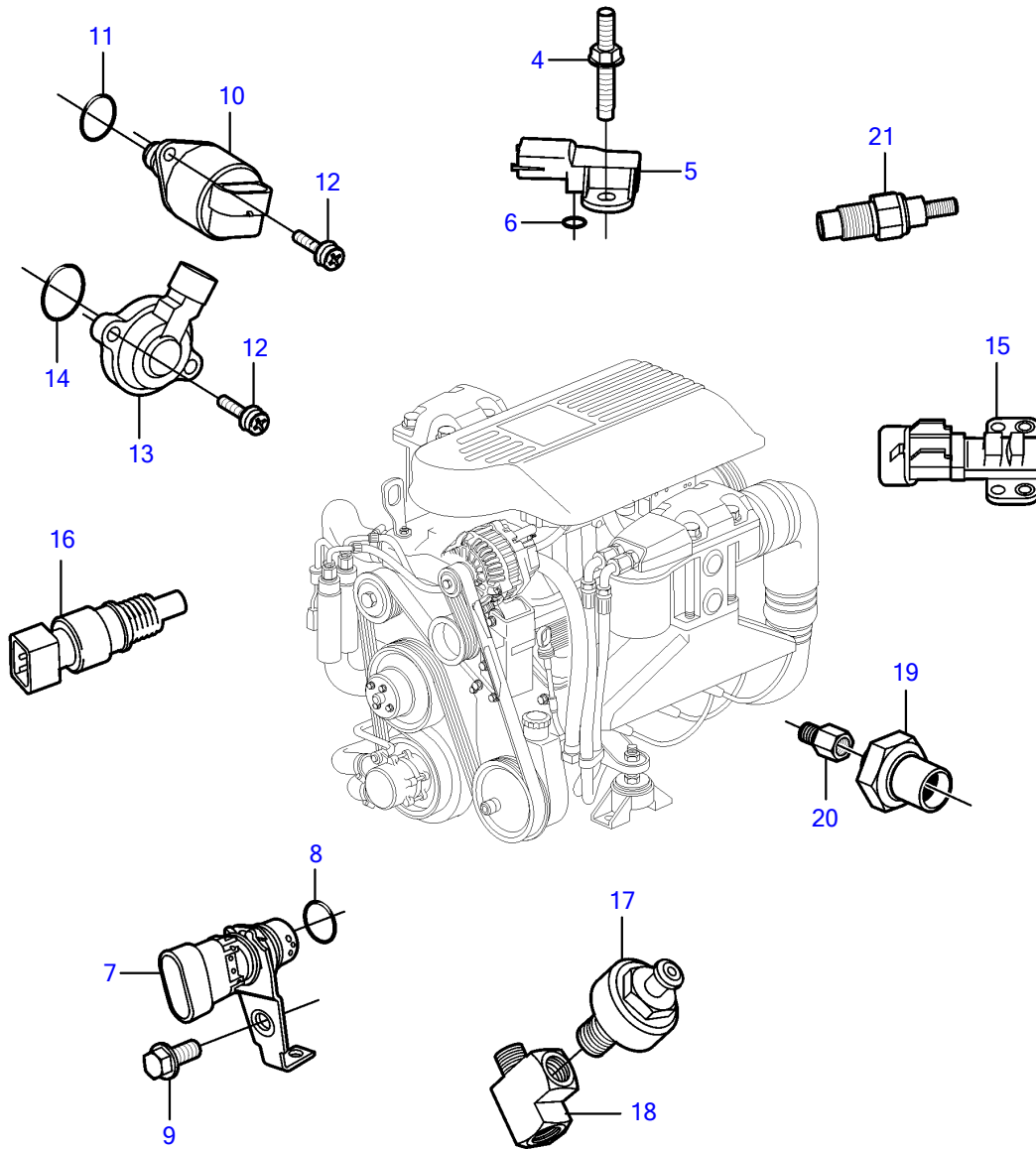
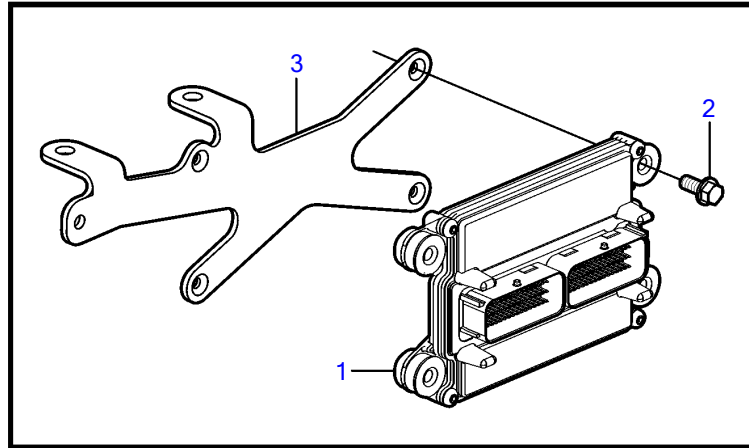


V6-200-A



V6-200-A

| REF | PART NO. | QTY | DESCRIPTION | NOTES |
|-----|-----------|-----|-----------------------------|------------------------------|
| 1 | 21906694 | 1 | Module | |
| 2 | 3843651 | 4 | Flange screw | |
| 3 | 3843886 | 1 | Bracket | |
| 4 | 3858973 | 1 | Bolt | |
| 5 | 3859020 | 1 | Sensor, MAT/MAP | |
| 6 | 3858988 | 1 | • Sealing | |
| 7 | 21124849 | 1 | Sensor, crankshaft position | |
| 8 | 3859009 | 1 | • O-ring | |
| 9 | 3858983 | 1 | Bolt | |
| 10 | 3843750 | 1 | Sensor | |
| 11 | (3858054) | 1 | • O-ring | Obsolete part |
| 12 | (3857693) | 1 | Screw | Obsolete part |
| 13 | 3857487 | 1 | Sensor, throttle position | |
| 14 | | 1 | • O-ring | Not sold separately |
| 15 | 3863130 | 1 | Sensor, camshaft position | |
| 16 | 3850397 | 1 | Switch | |
| 17 | 3861977 | 2 | Knock sensor | replaced by next part number |
| | 22024631 | 2 | Knock sensor | |
| 18 | 3593571 | 1 | Fitting | Port |
| | 3849477 | 1 | Adapter | Starboard |
| 19 | 3887328 | 1 | Sensor | |
| 20 | 3887970 | 1 | Fitting | |
| 21 | 3862500 | 2 | Temperature sensor | |