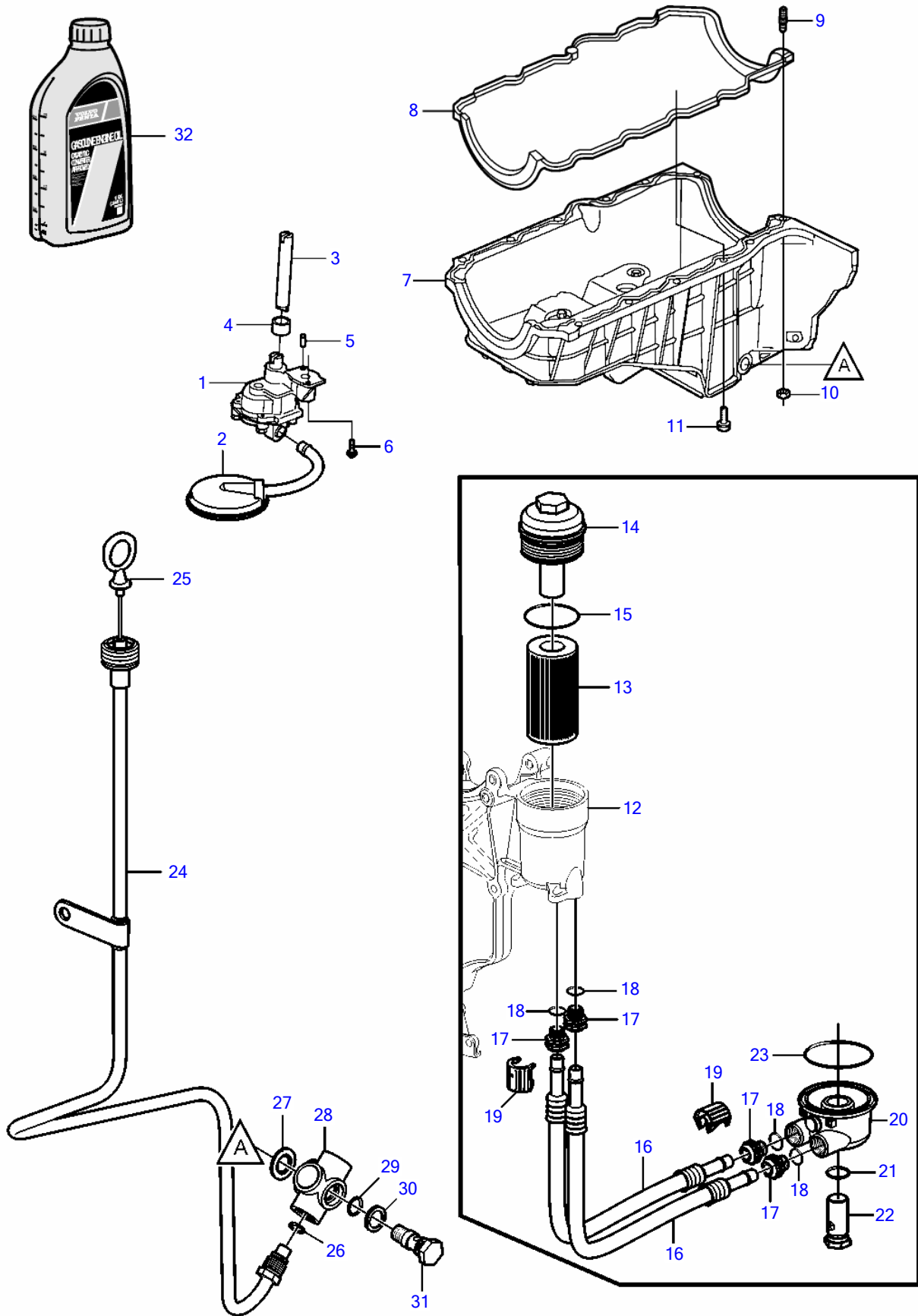


V6-200-A, V6-225-A



25416

V6-200-A, V6-225-A

| REF | PART NO. | QTY | DESCRIPTION    | SEE SEC. | NOTES  |
|-----|----------|-----|----------------|----------|--|
| 1   | 3856125  | 1   | Oil pump       |          |  |
| 2   | 3857714  | 1   | Oil strainer   |          |  |
| 3   | 3853198  | 1   | Shaft          |          |  |
| 4   | 3853199  | 1   | Retainer       |          |  |
| 5   | 3855972  | 2   | Pin            |          |  |
| 6   | 3853234  | 1   | Bolt           |          |  |
| 7   | 21124851 | 1   | Oil pan        |          |  |
| 8   | 21124852 | 1   | Gasket         |          |  |
| 9   | 3857718  | 2   | Stud           |          |  |
| 10  | 3856930  | 2   | Nut            |          |  |
| 11  | 3855802  | 10  | Bolt           |          |  |
| 12  | 21573817 | 1   | Bracket        |          |  |
| 13  | 8692305  | 1   | Oil filter     |          |  |
| 14  | 3875234  | 1   | Cardboard tube |          |  |
| 15  |          | 1   | • O-ring       |          | Not sold separately  |
| 16  | 3848321  | 2   | Hose assembly  |          |  |
| 17  | 3886181  | 4   | Fitting screw  |          |  |
| 18  |          | 4   | • O-ring       |          | Not sold separately  |
| 19  | 3888543  | 4   | Clip           |          |  |
| 20  | 3886159  | 1   | Adapter        |          |  |
| 21  | 3852089  | 1   | O-ring         |          |  |
| 22  | 3854695  | 1   | Retainer       |          |  |
| 23  | 3854416  | 1   | O-ring         |          |  |
| 24  | 21452592 | 1   | Dipstick tube  |          |  |
| 25  | 21107443 | 1   | Dipstick       |          |  |
| 26  | 3852033  | 1   | O-ring         |          |  |
| 27  | 3851981  | 1   | Washer         |          |  |
| 28  | 3587783  | 1   | Fitting        |          |  |
| 29  | 3853674  | 1   | O-ring         |          |  |
| 30  | 3852007  | 1   | Washer         |          |  |
| 31  | 888958   | 1   | Retainer       |          |  |
| 32  |          | X   | Oil            | 36029    | For current oil part numbers, follow link to "Maintenance Parts" page. |