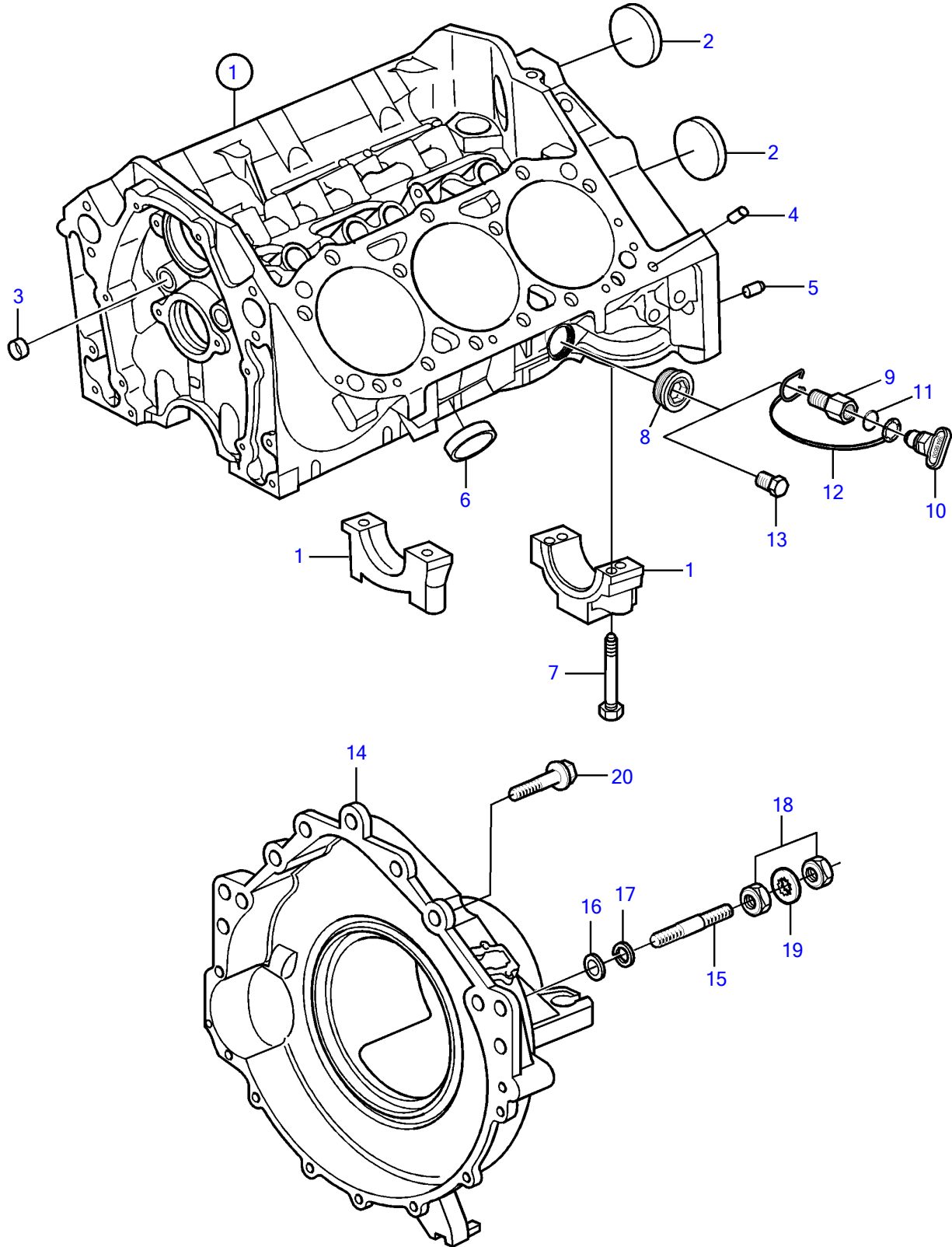


V6-200-A, V6-225-A



V6-200-A, V6-225-A

REF	PART NO.	QTY	DESCRIPTION	NOTES
1		1	Cylinder block	
2	3853209	2	• Core plug	
3	3853208	2	• Cap plug	
4	3853114	4	• Locating pin	
5	3856001	2	• Pin	
6	3852100	8	• Core plug	
7	3862355	10	• Bolt	
8	3593585	1	Plug	Port
9	3849942	2	Fitting	
10	21114522	2	Drain plug	
	3849500	2	• Plug	Replaced by 21114522
11	976970	2	• O-ring	
12	3849892	2	• Retainer	
13	3850802	2	Plug	
14	21157924	1	Flywheel housing	
15	3857937	3	Stud	
16	980933	3	Washer	
17	3852046	3	Spring washer	
18	971071	6	Hexagon nut	
19	982679	6	Toothed washer	
20	965222	2	Flange screw	L=65mm
	946472	2	Flange screw	L=30mm