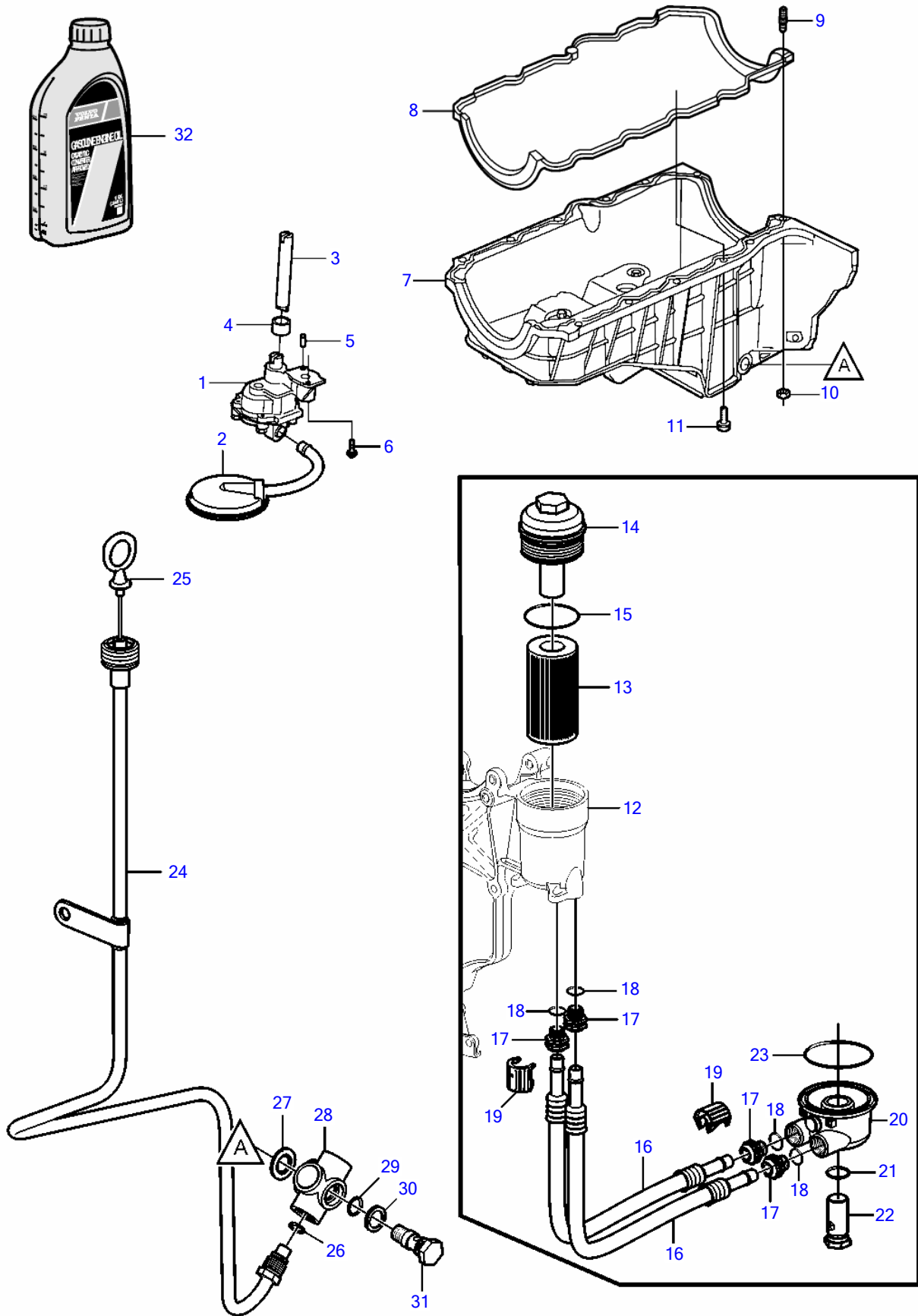


V6-225-E-A



25416

V6-225-E-A

REF	PART NO.	QTY	DESCRIPTION	SEE SEC.	NOTES
1	3856125	1	Oil pump		
2	3857714	1	Oil strainer		
3	3853198	1	Shaft		
4	3853199	1	Retainer		
5	3855972	2	Pin		
6	3853234	1	Bolt		
7	21124851	1	Oil pan		
8	21124852	1	Gasket		
9	3857718	2	Stud		
10	3856930	2	Nut		
11	3855802	10	Bolt		
12	21573817	1	Bracket		
13	8692305	1	Oil filter		
14	3875234	1	Cardboard tube		
15		1	• O-ring		Not sold separately
16	3848321	2	Hose assembly		
17	3886181	4	Fitting screw		
18		4	• O-ring		Not sold separately
19	3888543	4	Clip		
20	3886159	1	Adapter		
21	3852089	1	O-ring		
22	3854695	1	Retainer		
23	3854416	1	O-ring		
24	21452592	1	Dipstick tube		
25	21107443	1	Dipstick		
26	3852033	1	O-ring		
27	3851981	1	Washer		
28	3587783	1	Fitting		
29	3853674	1	O-ring		
30	3852007	1	Washer		
31	888958	1	Retainer		
32		X	Oil	36029	For current oil part numbers, follow link to "Maintenance Parts" page.

47702827-21-36280

25416

Upd:2014-11-10

V6-225-E-A

**VOLVO**  
**PENTA**