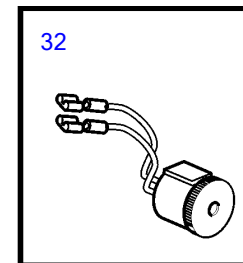
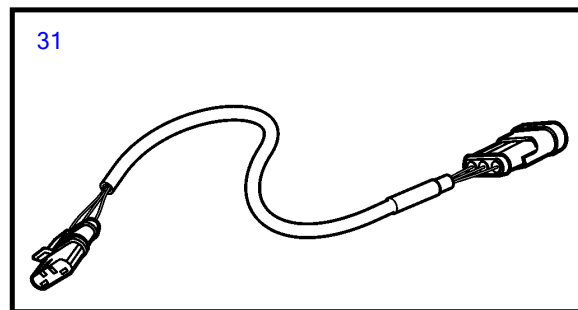
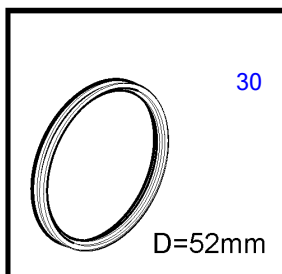
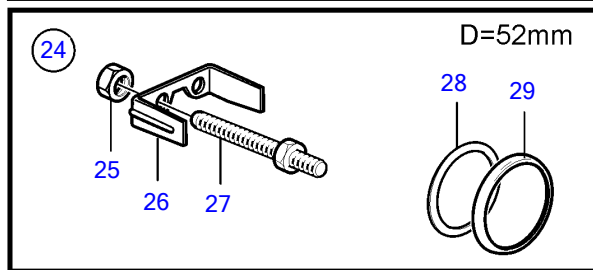
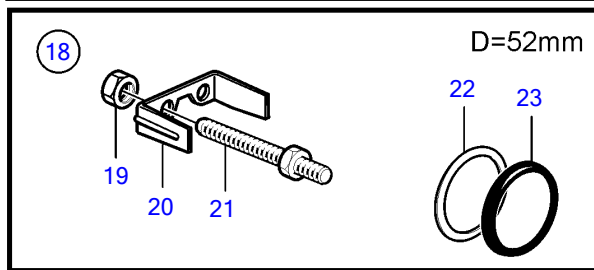
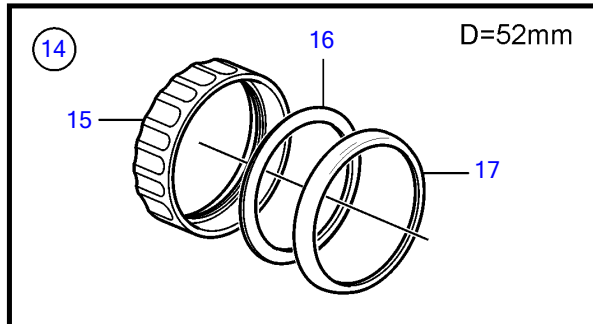
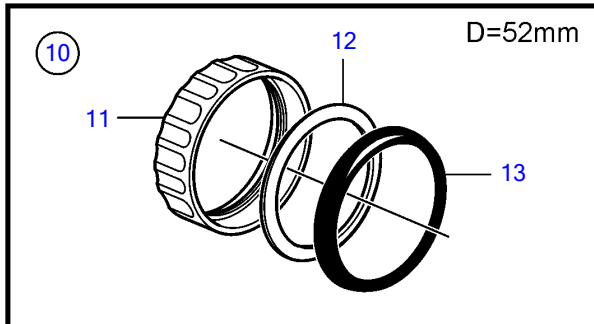
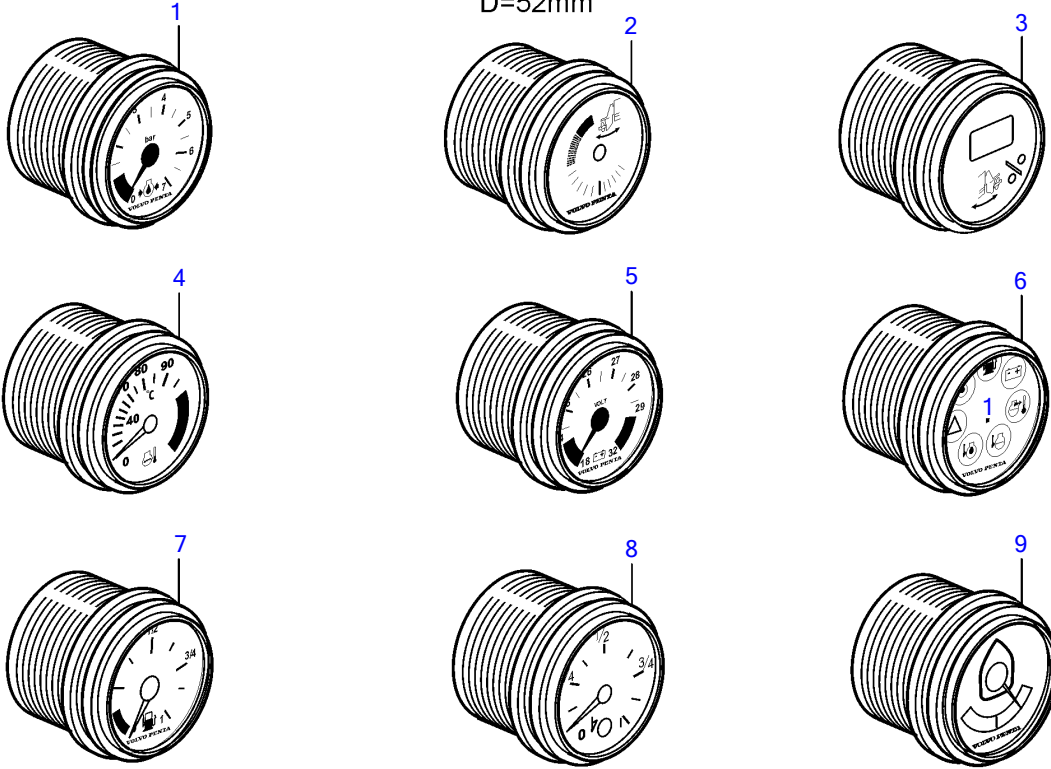


V6-225-E-A

D=52mm



V6-225-E-A

| REF | PART NO. | QTY | DESCRIPTION | NOTES |
|-----|----------|-----|-------------------------------|---------------------|
| 1 | 874919 | 1 | Oil pressure gauge | Black 0-100 psi |
| | 874932 | 1 | Oil pressure gauge | White, 0-100 psi |
| | 874908 | 1 | Oil pressure gauge | Black, 0-7 bar |
| | 874923 | 1 | Oil pressure gauge | White, 0-7 bar |
| 2 | 3812881 | 1 | Instrument | Black, Analog |
| | 3812911 | 1 | Instrument | White, Analog |
| 3 | 881648 | 1 | Trimmer | Black, Digital |
| | 881654 | 1 | Trimmer | White, Digital |
| 4 | 874904 | 1 | Thermometer, coolant water | Black, 0-120°C |
| | 874921 | 1 | Thermometer, coolant water | White, 0-120°C |
| | 874918 | 1 | Thermometer, coolant water | Black, 40-250° f |
| | 874931 | 1 | Thermometer, coolant water | White, 40-250° f |
| 5 | 881649 | 1 | Voltmeter | 12V, Black |
| | 881658 | 1 | Voltmeter | 12V, White |
| 6 | 874915 | 1 | Instrument, alarm | Black |
| | 874927 | 1 | Instrument, alarm | White |
| 7 | 874914 | 1 | Fuel gauge | Black |
| | 874926 | 1 | Fuel gauge | White |
| 8 | 3809992 | 1 | Water level gauge, water tank | Black |
| | 3809993 | 1 | Water level gauge, water tank | White |
| 9 | 3812914 | 1 | Rudder indicator | Black |
| | 3812917 | 1 | Rudder indicator | White |
| 10 | 874709 | 1 | Mounting kit | Black |
| 11 | 874450 | 1 | • Attaching ring | |
| 12 | 874707 | 1 | • Gasket | |
| 13 | 874448 | 1 | • Ring | |
| 14 | 874733 | 1 | Mounting kit | Chrome |
| 15 | 874450 | 1 | • Attaching ring | |
| 16 | 874707 | 1 | • Gasket | |
| 17 | 874731 | 1 | • Ring | |
| 18 | 881611 | 1 | Brace kit | Black |
| 19 | 881610 | 2 | • Nut | |
| 20 | 881607 | 1 | • Brace | |
| 21 | 881609 | 2 | • Stud | |
| 22 | 874707 | 1 | • Gasket | |
| 23 | 874448 | 1 | • Ring | |
| 24 | 881613 | 1 | Brace kit | Chrome |
| 25 | 881610 | 2 | • Nut | |
| 26 | 881607 | 1 | • Brace | |
| 27 | 881609 | 2 | • Stud | |
| 28 | 874707 | 1 | • Gasket | |
| 29 | 874731 | 1 | • Ring | |
| 30 | 874843 | 1 | X-ring | For flush mounting. |
| 31 | 874759 | 1 | Extension cable'verl | L=1000mm |
| | 3807043 | 1 | Extension cable'verl | L=3000mm |
| 32 | 3817974 | 1 | Alarm | |