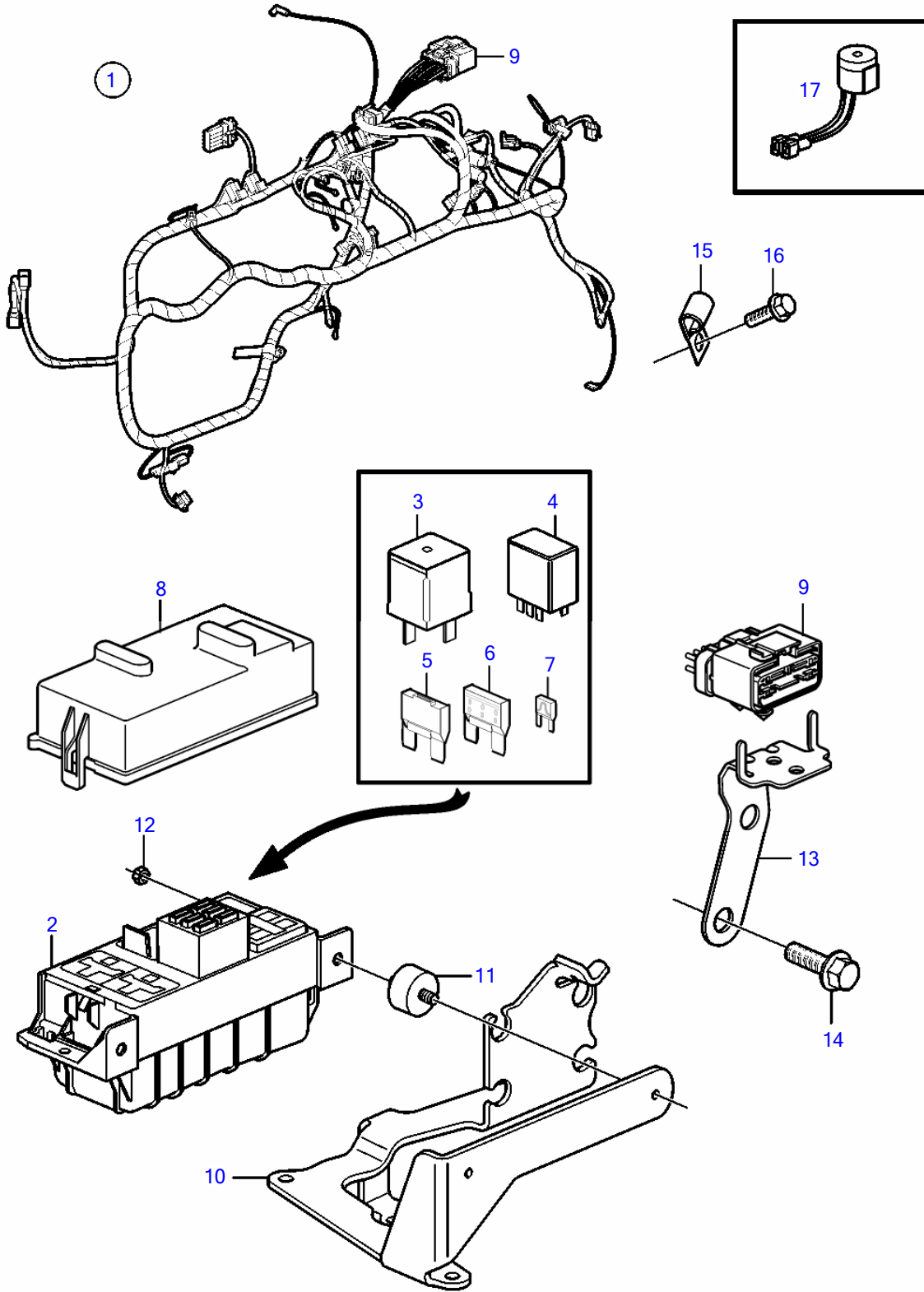


V6-225-E-A



V6-225-E-A

| REF | PART NO. | QTY | DESCRIPTION | NOTES |
|-----|-----------|-----|---------------------|--------------------------------|
| 1 | 21871586 | 1 | Wiring harness | |
| 2 | | 1 | • Fuse box | Not sold separately |
| 3 | 3858809 | 3 | • Relay | |
| 4 | 3841366 | 2 | • Relay | |
| 5 | 3884849 | 1 | • Fuse | 40A |
| 6 | 3841370 | 1 | • Fuse | 20A |
| | 3841371 | 1 | • Fuse | 40A |
| 7 | 3841373 | 1 | • Fuse | 5A |
| | 3863403 | 1 | • Fuse | 7.5A |
| | 3841372 | 1 | • Fuse | 10A |
| | 3861373 | 1 | • Fuse | 15A |
| | 3861374 | 1 | • Fuse | 20A |
| 8 | | 1 | • Cover plate | Not sold separately |
| 9 | | 1 | • Connector, 14 pin | Not sold separately |
| 10 | 21297333 | 1 | Bracket | |
| 11 | 3840402 | 2 | Mounting base | |
| 12 | 3852118 | 2 | Nut | |
| 13 | 981124 | 2 | Flange nut | |
| 14 | 3884234 | 1 | Bracket | |
| 15 | (3853557) | 2 | Flange screw | Obsolete part |
| 16 | (3852146) | 2 | Clamp, J | Obsolete part, D=.375" (9.5mm) |
| | 3852434 | 3 | Clamp, J | D=.750" (19.0mm) |
| 17 | 3883706 | 1 | Alarm | Mounted at the helm. |