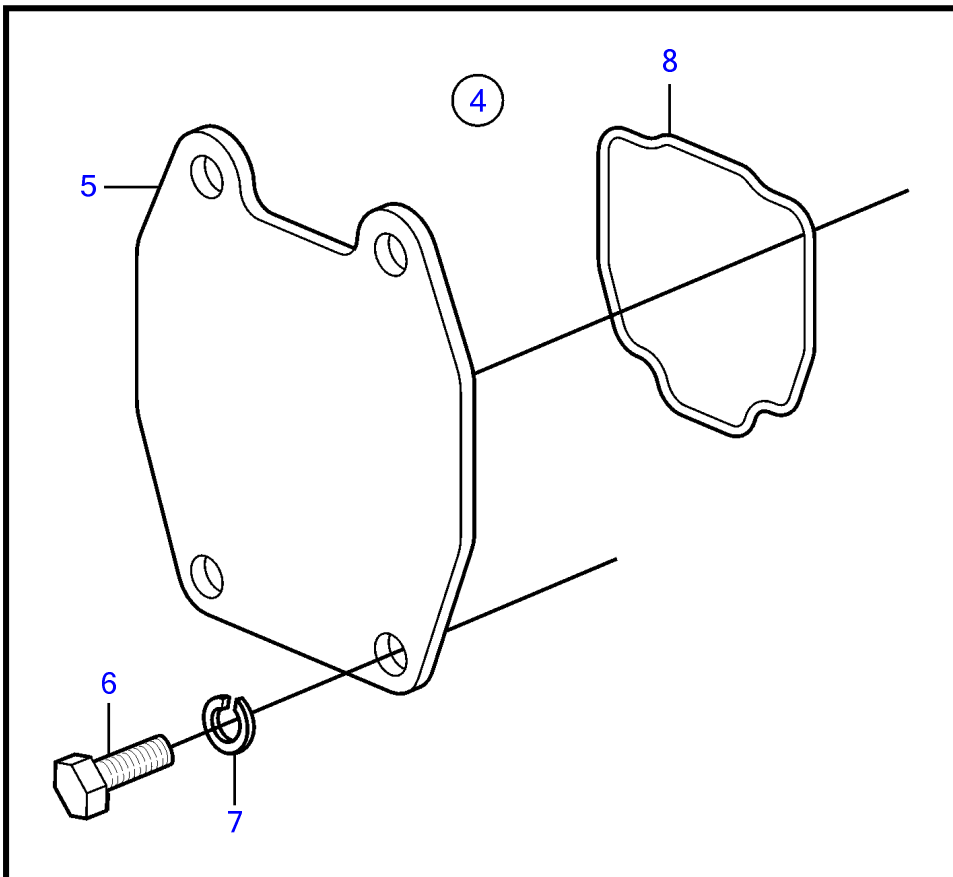
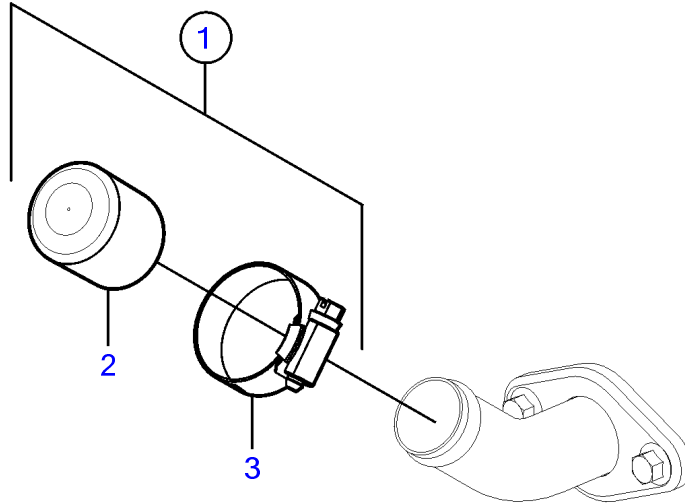


SX-S, SX-SLT



SX-S, SX-SLT

REF	PART NO.	QTY	DESCRIPTION	SEE SEC.	NOTES
1		1	Kit, water block-off		Kit no longer available
2	3852476	1	• Cardboard tube		
3	3863444	2	• Hose clamp		
4	3850889	1	Kit, exhaust block-off		
5		1	• Flange		not sold separately
6	3855227	4	• Hexagon screw		
7	3852002	4	• Spring washer		
8	3587651	1	Kit		
			• Bulletin P-25-2-2	P-25-2-2-EN	Y-pipe seal, gas engines