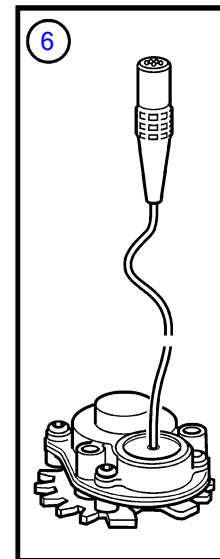
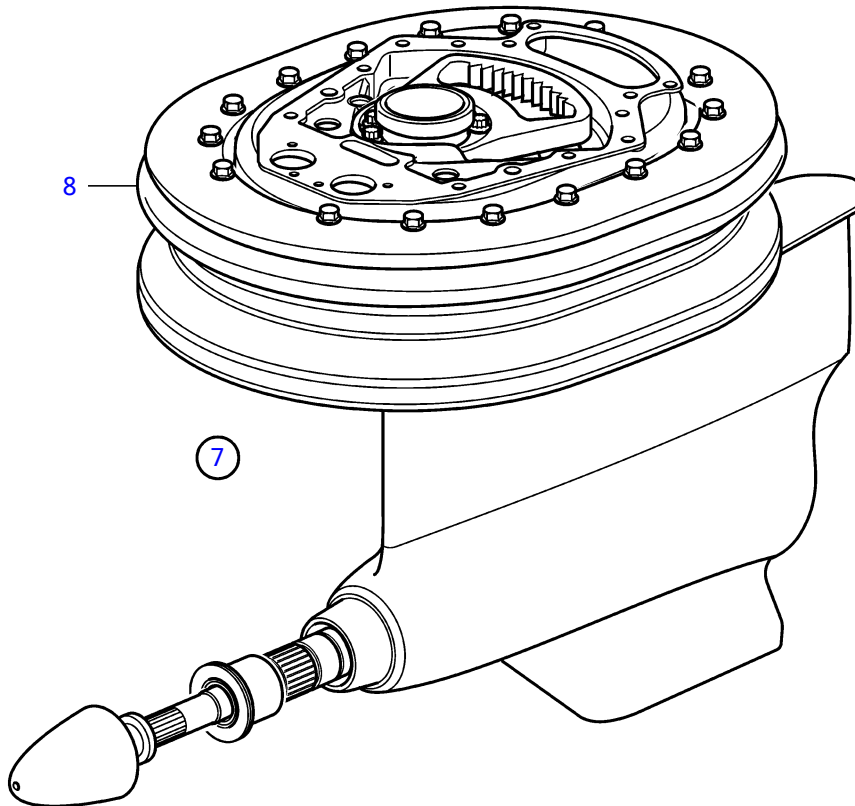
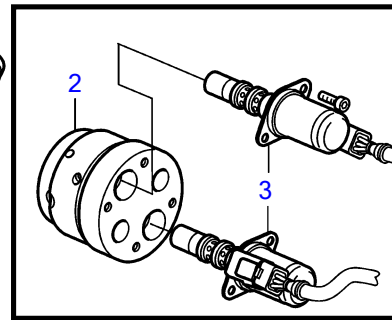
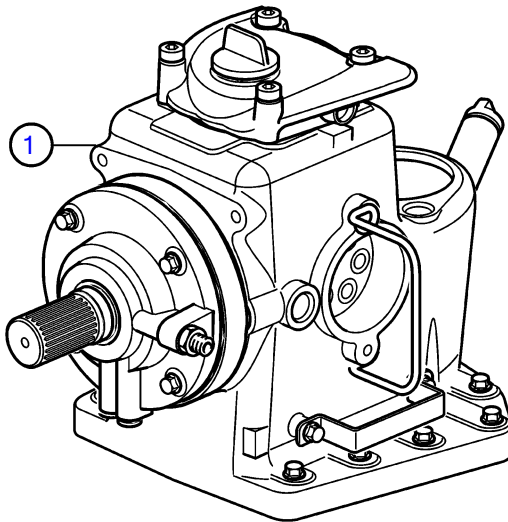
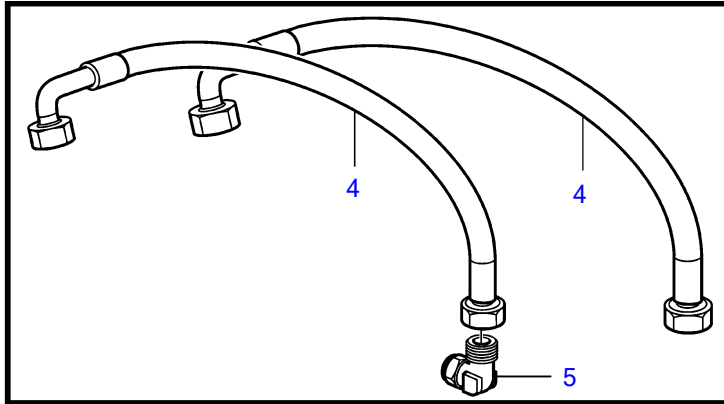


IPS-B



IPS-B

REF	PART NO.	QTY	DESCRIPTION	SEE SEC.	NOTES
1	3801451	1	Upper gear		Ratio 1.82:1, Ratio 1.94:1
			•	36691	
			•	35921	
	3801450	1	Upper gear		Ratio 2.08:1, Ratio 2.40:1
			•	36691	
			•	35921	
2	3861061	1	Valve housing		SN-3194005811
	21260636	1	Valve housing		SN3194005812-
3	3887470	2	Valve kit		SN-3194005811, 12V
	3887471	2	Valve kit		SN-3194005811, 24V
	11418522	2	Valve		SN3194005812-
4	21412615	2	Oil hose		L=500mm
	21510568	2	Oil hose		L=1396mm
	21510570	2	Oil hose		L=2056mm
5	994507	1	Elbow nipple		
6	3594642	1	Sensor kit		SN-3194005811
	21593166	1	Sensor		SN3194005812-
7	3801453	1	Lower gear		Ratio 1.82:1
	3801454	1	Lower gear		Ratio 1.94:1, Ratio 2.08:1
	3801452	1	Lower gear		Ratio 2.40:1
8		1	• Intermediate housing		
			•	36696	