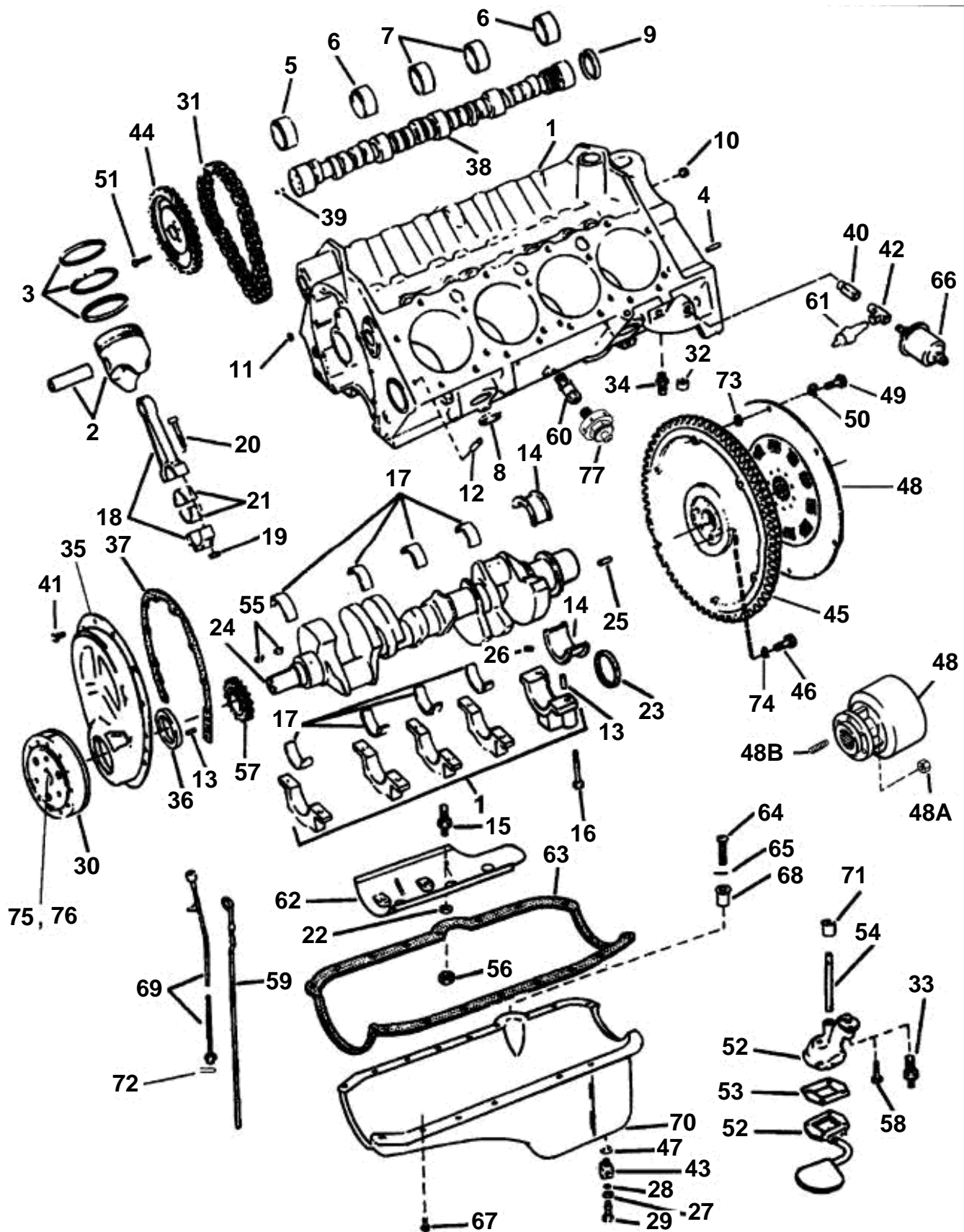


CRANKCASE & OIL PAN



CRANKCASE & OIL PAN

REF	PART NO.	QTY	DESCRIPTION	SEE SEC.	NOTES
1	3855028	1	Longblock		
			Bulletin P-21-0-6	P-21-0-6-EN	Longblock Guidelines, 7.4L and 8.2L
1	3850854	1	Longblock		
			Bulletin P-21-0-6	P-21-0-6-EN	Longblock Guidelines, 7.4L and 8.2L
1	3855029	1	Longblock		
			Bulletin P-21-0-6	P-21-0-6-EN	Longblock Guidelines, 7.4L and 8.2L
1	3856689	1	Longblock		
			Bulletin P-21-0-6	P-21-0-6-EN	Longblock Guidelines, 7.4L and 8.2L
2	3855036	X	Piston, Standard		INCS, INCSCE, PNCA, PNCM only
	3855994	X	Piston, Standard		INCC, PNCS, PNCB only
	3855037	X	Piston, 0.005 in. OS		INCS, INCSCE, PNCA, PNCM only
	3855038	X	Piston, 0.030 in. OS		INCS, INCSCE, PNCA, PNCM only
	3855995	X	Piston, 0.030 in. OS		INCC, INCCCE, PNCB, PNCBCE, PNCS, PNCSCCE only
	3855045	8	Piston, Standard		INCS, XNCM only
	3856023	8	Piston, Standard		XNCB only
	3850027	8	Piston kit, Standard		8.2 GSi
	3855047	X	Piston, 0.030 in. OS		INCS, XNCM only
	3856025	X	Piston, 0.030 in. OS		XNCB only
	3855293	X	Piston, Standard		INCS, XNCM only
	3855295	X	Piston, 0.030 in. OS		INCS, XNCM only
	3850028	X	Piston kit, 0.032 in. OS		8.2 GSi
3	3855039	X	Piston ring kit, Standard		7.4 GL, Gi, GSi
	3850030	8	Piston ring kit, Standard		8.2 GSi
	3855048	X	Piston ring kit, 0.005 in OS		
	3855040	X	Piston ring kit, 0.030 in. OS		7.4 GL, Gi, GSi
	3850031	X	Piston ring kit, 0.032 in. OS		8.2 GSi
4	3853113	2	Locating pin, Flywheel housing		
5	3853345	1	Camshaft bearing, Camshaft, #1		INCS, INCSCE, PNCA, PNCBCE, PNCM, PNCMCE, XNCM only
	3856881	1	Camshaft bearing kit		INCC, INCCCE, PNCB, PNCBCE, PNCS, PNCSCCE, XNCB only
6	3853346	2	Camshaft bearing, Camshaft, #2, #5		INCS, INCSCE, PNCA, PNCBCE, PNCM, PNCMCE, XNCM only
7	3853347	2	Camshaft bearing, Cam #3 & #4		INCS, INCSCE, PNCA, PNCBCE, PNCM, PNCMCE, XNCM only
8	3852100	8	Core plug, Engine block		
9	3853348	1	Cap plug, Camshaft bearing, rear		
10	3852471	10	Plug, Oil gallery		
11	3852471	3	Plug, Oil gallery, front		
12	3853344	X	Locating pin, Cylinder head		
13	3853213	4	Pin, Front cover		INCS, INCSCE, PNCA, PNCBCE, PNCM, PNCMCE, XNCM only
	3855972	4	Pin, Front cover		INCC, INCCCE, PNCB, PNCBCE, PNCS, PNCSCCE, XNCB only
14	3853541	1	Thrust bearing, Rear, standard		
15	3853529	4	Stud, Bearing cap		INCS, INCSCE, PNCA, PNCBCE, PNCM, PNCMCE, XNCM only
	3855982	4	Stud, Bearing cap		INCC, INCCCE, PNCB, PNCBCE, PNCS, PNCSCCE, XNCB only
16	3853500	10	Screw, Bearing cap, outer		
	3853501	6	Screw, Bearing cap, inner		
17	3853542	1	Main bearing, Standard, main, #1		
	3856880	1	Main bearing kit, Standard		INCC, INCCCE, PNCB, PNCBCE, PNCS, PNCSCCE, XNCB only
18	3854079	8	Connecting rod		GL, Gi
	3853355	8	Connecting rod		7.4 GSi; 8.2 GSi
19	3853148	16	Nut, Connecting rod		INCS, INCSCE, PNCA, PNCBCE, PNCM, PNCMCE, XNCM only
	3853413	16	Nut, Connecting rod		INCC, INCCCE, PNCB, PNCBCE, PNCS, PNCSCCE only
	3853365	16	Nut, Connecting rod		INCS, INCSCE, PNCA, PNCBCE, PNCM, PNCMCE, XNCM only
	3856016	16	Nut, Connecting rod		XNCB only

7797250 - - 0-0004

GR950328

Upd: 22 NOV 2005

NC 7.4 GL, 7.4 Gi, 7.4 Gsi; 8.2 Gsi

VOLVO
PENTA

CRANKCASE & OIL PAN

REF	PART NO.	QTY	DESCRIPTION	SEE SEC.	NOTES
20	3853356	16	Screw, Connecting rod		8.2 GSi
	3853481	16	Screw, Connecting rod		GL, Gi
21	3853540	8	Rod bearing, Rod, standard		INCS, INCSCE, PNCA, PNCBCE, PNCM, PNCMCE, XNCM only
	3855985	8	Rod bearing, Rod, standard		INCC, INCCCE, PNCB, PNCBCE, PNCS, PNCSCCE, XNCB only
22	3853357	5	Washer		INCS, INCSCE, PNCA, PNCBCE, PNCM, PNCMCE, XNCM only
23	3853528	1	Crankshaft seal, Rear main		
24	3853509	1	Crankshaft		GL, Gi
	3855050	1	Crankshaft		7.4 GSi
	3853586	1	Crankshaft		8.2 GSi
25	3853200	1	Pin, Flywheel dowel		INCS, INCCCE, PNCA, PNCBCE, PNCM, PNCMCE, XNCM only
	3855969	1	Pin, Flywheel dowel		INCC, INCCCE, PNCB, PNCBCE, PNCS, PNCSCCE, XNCB only
26	3853538	1	O-ring, Rearmain bearing cap		
27	3852007	1	Washer, Retainer, oil pan drain		
28	3853674	1	O-ring, Retainer, oil pan drain		
29	3852694	1	Hollow screw, Oil pan drain		INCS only
	3850822	1	Hollow screw, Oil pan drain		GL, Gi, XNCB
30	3854092	1	Vibration damper, Torsional		7.4 GL, Gi, GSi
	3853588	1	Vibration damper, Torsional		8.2 GSi
31	3853506	1	Camshaft chain, Camshaft timing		
32	3854112	1	Valve, Engine block		
33	3853359	1	Stud, Oil pump & screen		
34	3852097	1	Connector, Oil adapter		
35	3853508	1	Timing gear casing, Timing		INCS, INCCCE, PNCA, PNCBCE, PNCM, PNCMCE, XNCM only
	3855979	1	Cover, Timing		INCC, INCCCE, PNCB, PNCBCE, PNCS, PNCSCCE, XNCB only
36	3853360	1	Seal, Front cover		INCS, INCCCE, PNCA, PNCBCE, PNCM, PNCMCE, XNCM only
37	3853512	1	Gasket, Timing cover		INCS, INCCCE, PNCA, PNCBCE, PNCM, PNCMCE, XNCM only
38	3854016	1	Camshaft		INCC only
	3856021	1	Camshaft		XNCB only
	3855034	1	Camshaft		GL, Gi; INCS, INCCCE, PNCA, PNCBCE, PNCM, PNCMCE, XNCM only
	3855993	1	Camshaft		INCC, INCCCE, PNCB, PNCBCE, PNCS, PNCSCCE only
39	3853213	1	Pin, Camshaft sprocket		INCS, INCCCE, PNCA, PNCBCE, PNCM, PNCMCE, XNCM only
	3855972	1	Pin, Camshaft sprocket		INCC, INCCCE, PNCB, PNCBCE, PNCS, PNCSCCE, XNCB only
40	3852465	1	Bushing, Sender, oil pressure		
41	3852441	10	Screw, Timing cover		INCS, INCCCE, PNCA, PNCBCE, PNCM, PNCMCE, XNCM only
	3855997	6	Screw, Timing cover		INCC, INCCCE, PNCB, PNCBCE, PNCS, PNCSCCE, XNCB only
42	3852610	1	T-nipple, Oil pressure switch		
43	3855112	1	Fitting, Oil pan drain		
44	3853362	1	Sprocket, Camshaft		Gi
	3853523	1	Sprocket, Camshaft		INCS, INCCCE, PNCA, PNCBCE, PNCM, PNCMCE, XNCM only
	3855981	1	Camshaft gear, Camshaft		INCC, PNCS, PNCB only
45	3854093	1	Flywheel, Housing		7.4 GL, Gi, GSi
	3854094	1	Flywheel, Housing		8.2 GSi
46	946471	2	Screw		
47	3851981	1	Sealing washer, Fitting to oil pan		
48	854185	1	Vibration damper, 290 DP		
	3853962	1	Rubber coupling, SX, DP-S		
48a	3853273	1	Lock nut, Flywheel, coupler to crankshaft		SX, DP-S

7797250 - - 0-0004

GR950328

Upd: 22 NOV 2005

NC 7.4 GL, 7.4 Gi, 7.4 GSi; 8.2 GSi

VOLVO
PENTA

CRANKCASE & OIL PAN

REF	PART NO.	QTY	DESCRIPTION	SEE SEC.	NOTES
48b	3853274	1	· Stud, Flywheel & coupler to c'shaft		SX, DP-S
49	835482	6	Screw, Torsional damper to flywheel		
50	942336	6	Spring washer, Screw, damper to flywheel hsg		
51	3853173	3	Screw, Camshaft sprocket		
52	3855035	1	Oil pump		
	3853213	1	Pin, Oil pump		INCS, INCCCE, PNCA, PNCBCE, PNCM, PNCMCE, XNCM only
	3855972	1	Pin, pil pump		INCC, INCCCE, PNCB, PNCBCE, PNCS, PNCSCCE, XNCB only
53	3853514	1	Gasket, Oil pump		INCS, INCCCE, PNCA, PNCBCE, PNCM, PNCMCE, XNCM only
54	3853482	1	Shaft, Oil pump drive		INCS, INCCCE, PNCA, PNCBCE, PNCM, PNCMCE, XNCM only
	3855976	1	Shaft, Oil pump drive		INCC, INCCCE, PNCB, PNCBCE, PNCS, PNCSCCE, XNCB only
55	3853527	2	Key, Woodruff, torsional damper		
56	946420	5	Lock nut, Oil pan baffle		
57	3853363	1	Sprocket, Crankshaft		Gi
	3853522	1	Sprocket, Crankshaft		GL
58	3853359	1	Stud, Oil pump and screen		Pump to block
59	3850474	1	Oil dipstick		
60	3854494	2	Drain cock, Engine water drain		
61	3852215	1	Switch, Dil pressure		
62	3854090	1	Baffle plate, Oil pan		
63	3853510	1	Gasket, Oil pan		
64	3852179	1	Screw, Oil pan seal		
65	3852188	1	Washer, Oil pan oil plug		
66	3853800	1	Oil pressure sensor, Dil pressure		
	872064	1	Sender, Oil pressure, dual station		
67	3853358	20	Screw, Oil pan		
68	3852611	1	Plug, Oil pan hole		
69	3854657	1	Tube, Oil dipstick		PNCS, PNBCE, PNCSCCE, XNCB only
	3854180	1	Tube, Oil dipstick		INCS, INCSCE, PNCA, PNCSCCE, PNCM, PNCMCE, XNCM only
70	3854103	1	Oil pan		PNCA, PNCM, XNCM only
	3855990	1	Oil pan		INCC, PNCS, PNCB only
	3855052	1	Oil pan		Gi; XNCB
71	3853199	1	Retainer, Oil pump shaft		Gi
	3853199	1	Retainer, Oil pump shaft		INCC, INCCCE, PNCB, PNCSCCE, PNCS, PNCSCCE, XNCB only
72	3852033	1	O-ring, Oil gage tube to fitting		
73	940097	6	Washer, Damper to flywheel		
74	941909	6	Spring washer, Flywheel		
75	3853502	1	Flange screw, Crankshaft damper		
76	3853354	1	Washer, Crankshaft damper		
77	3854512	1	Sensor		
	3855998	1	Retainer		INCC, INCCCE, PNCB, PNCSCCE, PNCS, PNCSCCE, XNCB only
	3853172	2	Screw, Camshaft retainer		INCC, INCCCE, PNCB, PNCSCCE, PNCS, PNCSCCE, XNCB only
	3853207	1	Gear ring, Flywheel		INCS, INCSCE, PNCA, PNCSCCE, PNCM, PNCMCE, XNCM only
	3855970	1	Gear ring, Flywheel		INCC, INCCCE, PNCB, PNCSCCE, PNCS, PNCSCCE, XNCB only
	3856873	1	Gasket kit, Upper engine		7.4 GL; not shown
	3856874	1	Gasket kit, Upper engine		7.4 Gi; not shown
	3856875	1	Gasket kit, Upper engine		7.4 GSi; not shown
	3856876	1	Gasket kit, Upper engine		8.2 GSi; not shown
	3856877	1	Gasket kit, Lower engine		INCS, INCSCE, PNCA, PNCSCCE, PNCM, PNCMCE, XNCM only
	3856878	1	Gasket kit, Lower engine		Not shown; INCC, INCCCE, PNCB, PNCSCCE, PNCS, PNCSCCE, XNCB only

7797250 - - 0-0004

GR950328

Upd: 22 NOV 2005

NC 7.4 GL, 7.4 Gi, 7.4 Gsi; 8.2 Gsi

VOLVO
PENTA