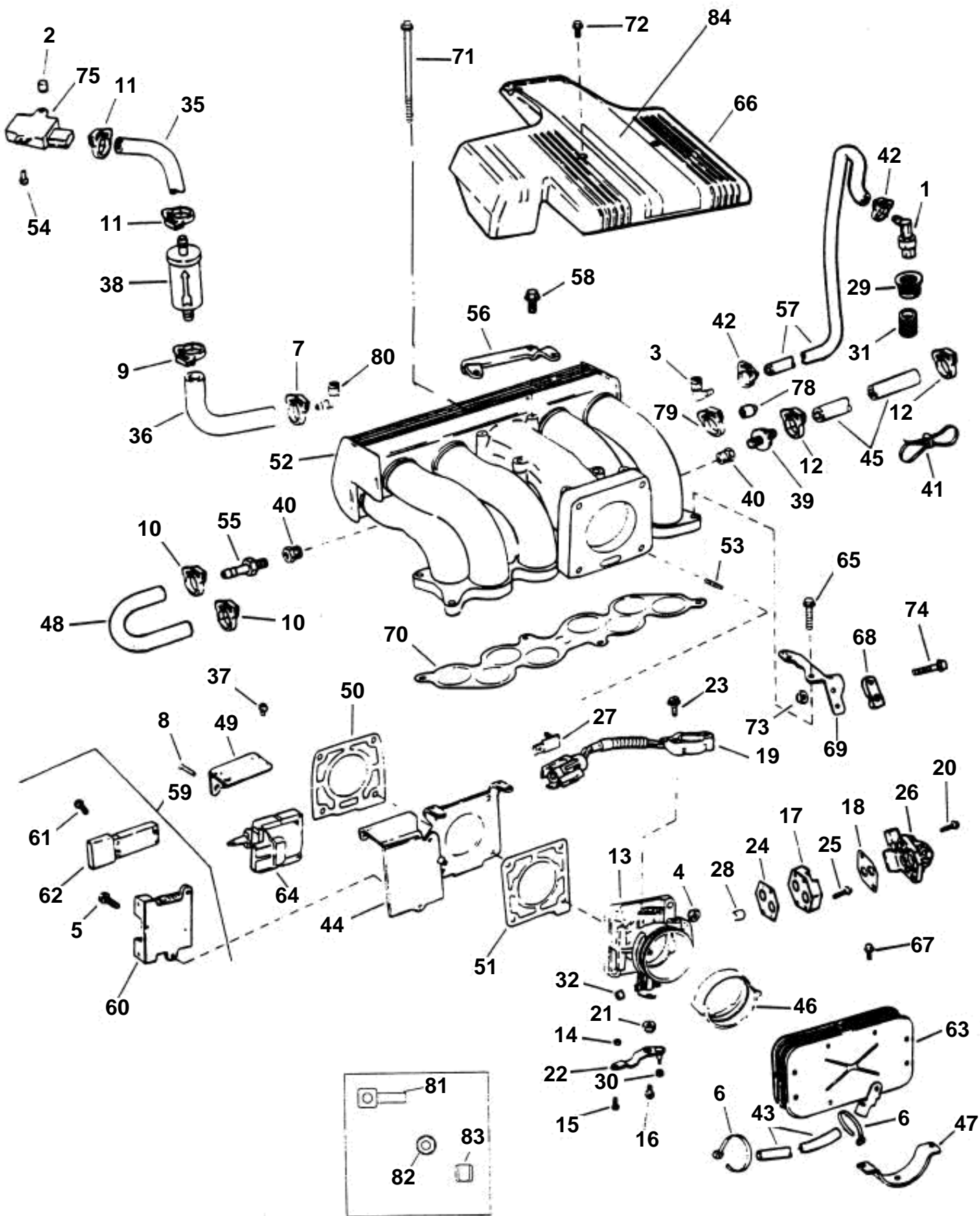


UPPER INTAKE MANIFOLD - 5,0 LITRE MODELS



UPPER INTAKE MANIFOLD - 5,0 LITRE MODELS

REF	PART NO.	QTY	DESCRIPTION
1	3852820	1	Valve
2	3853537	2	Protective cap, MAP sensor screw
3	3852480	1	Riser, PCV valve to intake manifold
4	3852142	4	Nut, Throttle body
5	3852080	2	Screw, TFI module
6	3852158	1	Lock strap, Hose
7	3852529	1	Clamp, Filter, hose to intake
8	3852168	2	Screw, E-coil
9	3852170	1	Clamp, Hose, filter
10	3852171	1	Clamp, Hose, pressure regulator
11	3852170	2	Clamp, Hose, MAP sensor.....,
12	3852529	1	Clamp, Hose, reservoir
13	3854277	1	Throttle body
14	3852077	1	· Nut, Throttle lever
15	3852066	1	· Screw, Throttle lever
16	3852212	1	· Screw, Throttle lever
17	3853612	1	· Adapter, Air bypass solenoid
18	3853613	1	· Gasket, Air bypass solenoid
19	3850988	1	· Sender
20	3853614	2	· Screw, Air bypass solenoid
21	3853627	1	· Nut, Throttle lever
22	3850353	1	· Lever, Throttle body
23	3850986	2	· Screw, Throttle sensor
24	3853613	2	· Gasket, Adapter to solenoid
25	3853614	2	· Screw, Solenoid adapter
26	3850987	1	· Valve, Throttle air bypass
27	3853734	1	· Clip, Connector
28	3853748	1	· Filter, Noise suppressor
29	3853767	1	Grommet, PCV valve
30	3853729	1	Nut, Throttle cable
31	3853768	1	Filter, Crankcase vent
32	3853772	1	Cover, Idle screw
35	3852203	1	Hose, MAP sensor to filter
36	3853641	1	Hose, Filter to intake manifold
37	3852212	2	Screw, E-coil bracket
38	3852224	1	Fuel filter, MAP sensor....:
39	3852225	1	Impulse limiter, Pulse
40	3852465	2	Bushing
41	3852486	1	Lock strap
42	3852529	1	Clamp, PCV valve
43	3853723	1	Hose, Valve cover to arrestor
44	3853763	1	Bracket, TFI module & E-coil
45	3853582	1	Hose, Reservoir to pulse limiter
46	3853594	1	Grommet, Flame arrestor
47	3853595	1	Clamp, Flame arrestor
48	3853619	1	Hose, Pressure regulator
49	3853625	1	Bracket, E-coil to TFI bracket
50	3853629	1	Gasket, Bracket to manifold
51	3853630	1	Gasket, Bracket to throttle body
52	3850777	1	Manifold, Upper intake
53	3852176	4	· Stud, Throttle body
54	3852208	2	Screw, MAP sensor
55	3853639	1	Fitting, Pressure regulator
56	3853652	1	Bracket, Cover
57		2	HOSE, PCV Valve
58	3853661	2	Screw, Flame arrestor bracket
59	3854139	1	Control unit, TFI
60	3854272	1	· Level sensor
61	3854273	2	· Screw
62	3854274	1	· Control unit, TFI
63	3854144	1	Flame shield
64	3854161	1	Coil
65	3853638	4	Screw, Intake manifold
66	3853571	1	Cover, Flame arrestor

UPPER INTAKE MANIFOLD - 5,0 LITRE MODELS

REF	PART NO.	QTY	DESCRIPTION
67	3853722	2	Screw, Flame arrestor clamp
68	3850266	1	Anchorage, Throttle cable
69	3850225	1	Bracket, Throttle
70	3853637	1	Gasket, Upper to lower intake
71	3853635	2	Screw, Upper to lower intake
72	3853662	4	Screw, Flame arrestor cover
73	3852118	1	Nut, Throttle anchor
74	3852048	1	Screw, Cable anchor
75	3854160	1	Sender, Manifold air pressure
78	3853745	1	Cover, Nipple
79	3852529	1	Clamp, Nipple
80	3852480	1	Riser, MAP sensor
81	3850941	1	Adapter, Throttle cable
82	3853729	1	Nut, Throttle cable adapter
83	3852019	1	Retainer, Throttle cable
84	3851033	1	Decal, 5.0 Fi