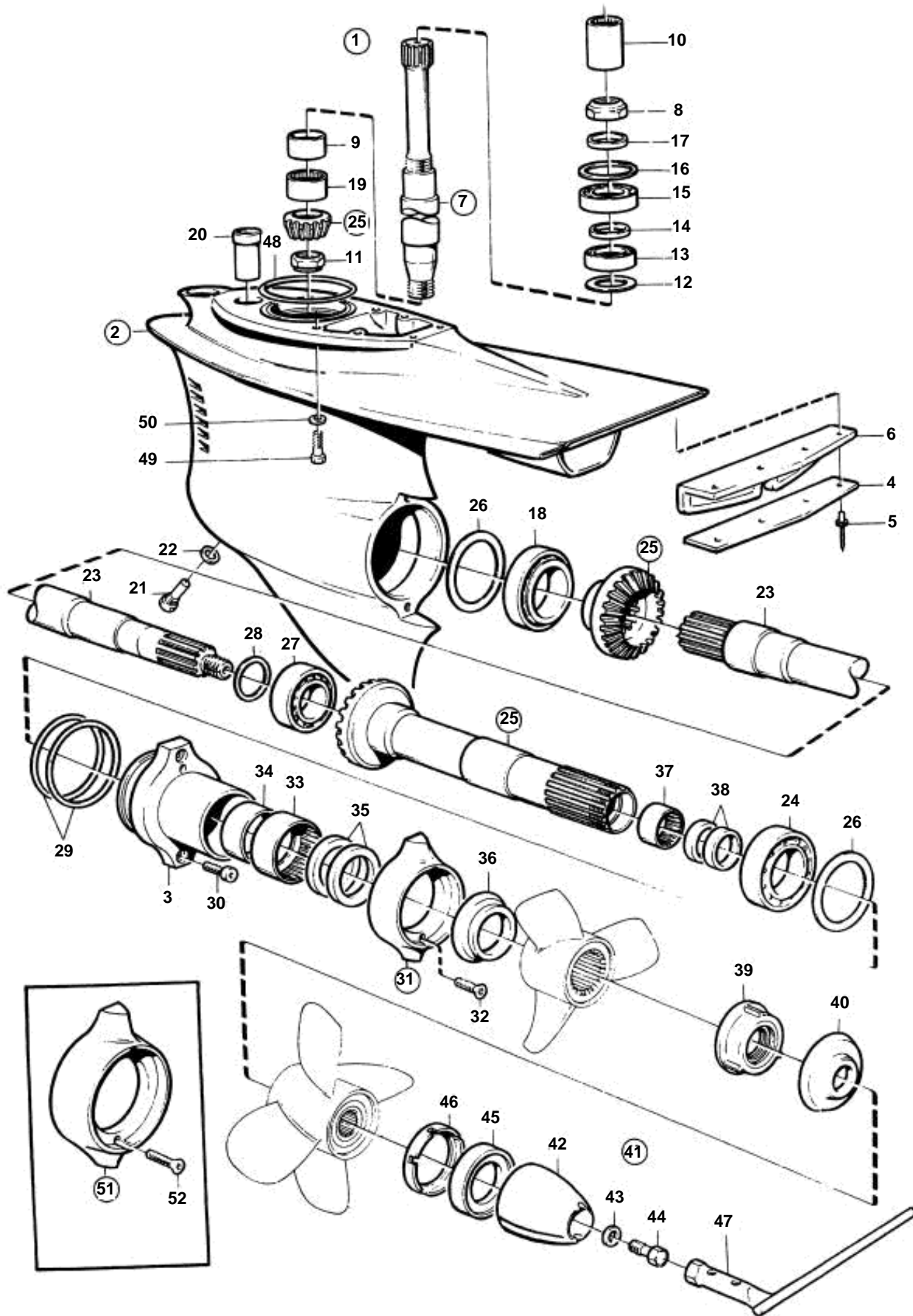


DP-D1 - LOWER GEAR UNIT RATIO 1,78:1



DP-D1 - LOWER GEAR UNIT RATIO 1,78:1

REF	PART NO.	QTY	DESCRIPTION	SEE SEC.	NOTES
1	872769	1	Gear under		Also available as an exchange part.
	3803188	1	Gear under, exchange		Exchange unit
2	872307	1	· Gear housing		
3	854053	1	· · Bearing housing		
4	872439	1	· · Attaching plate		
5	977711	4	· · · Pop rivet		
6	872438	1	· · Check valve		
7	854611	1	· Intermedi.shaft kit		
8	969071	1	· · Round nut		
9	184682	1	· · Cone		
10	854553	1	· · Splined sleeve		
			· · Bulletin P-44-1-6	P-44-1-6-EN	Lower Gear Unit
11	852212	1	· Nut		
12	941832	X	· Adjusting washer, 05 mm)		
	941833	X	· Adjusting washer, 20 mm)		
13	183374	1	· Ball bearing		
14	944970	X	· Adjusting washer		
15	11072	1	· Roller bearing		
16	944522	X	· Shim, 05 mm)		
	42981	X	· Shim, 10 mm)		
	968057	X	· Shim, 20 mm)		
	42980	X	· Shim, 35 mm)		
17	897387	1	· Spacer ring		
18	11044	1	· Bearing		
19	18465	1	· Roller bearing		
20	814482	1	· Oil pump screen		
21	852904	1	· Magnetic plug		
22	955974	1	· O-ring		
23	872533	1	· Driveshaft		
24	184765	1	· Roller bearing		
25	854464	1	· Gear set		
26	967352	X	· Adjusting washer, 05 mm)		
	941823	X	· Adjusting washer, 10 mm)		
	967351	X	· Adjusting washer, 15 mm)		
	941824	X	· Adjusting washer, 20 mm)		
	941825	X	· Adjusting washer, 40 mm)		
27	184691	1	· Bearing		
28	191834	X	· Shim, 10 mm)		
	191835	X	· Shim, 15 mm)		
	191837	X	· Shim, 25 mm)		
29	925258	2	· O-ring		
30	941812	2	· Screw		
31	875821	1	· Zinc ring kit		
32	966808	2	· · Screw		
33	183859	1	· Needle bearing		
34	184683	1	· Cone		
35	851407	2	· Sealing ring		
36	872871	1	· Line cutter		
37	183272	1	· Needle bearing		
38	853871	1	· Sealing ring kit		
39	873049	1	· Propeller nut		
40	872872	1	· Line cutter		
41	872549	1	· Propeller cone kit		
42		1	· · PROPELLER CONE		
43	943194	1	· · Washer		
44	872546	1	· · Lock screw		
45	853676	1	· · Spacer ring		
46	854294	1	· · Plastic washer		
47	873058	1	· Tool kit		
48	925256	1	O-ring		Included in complete Duoprop Drive Unit
49	941810	4	Screw		Included in complete Duoprop Drive Unit
50	853095	4	Washer		Included in complete Duoprop Drive Unit
51	876138	1	Magnesium kit		To be used in fresh-water
52	966808	2	· Screw		

7748040 - - 0-0037

GR999436

Upd: 22 NOV 2005

MD 5.7 GL, 5.7 Gi

VOLVO
PENTA