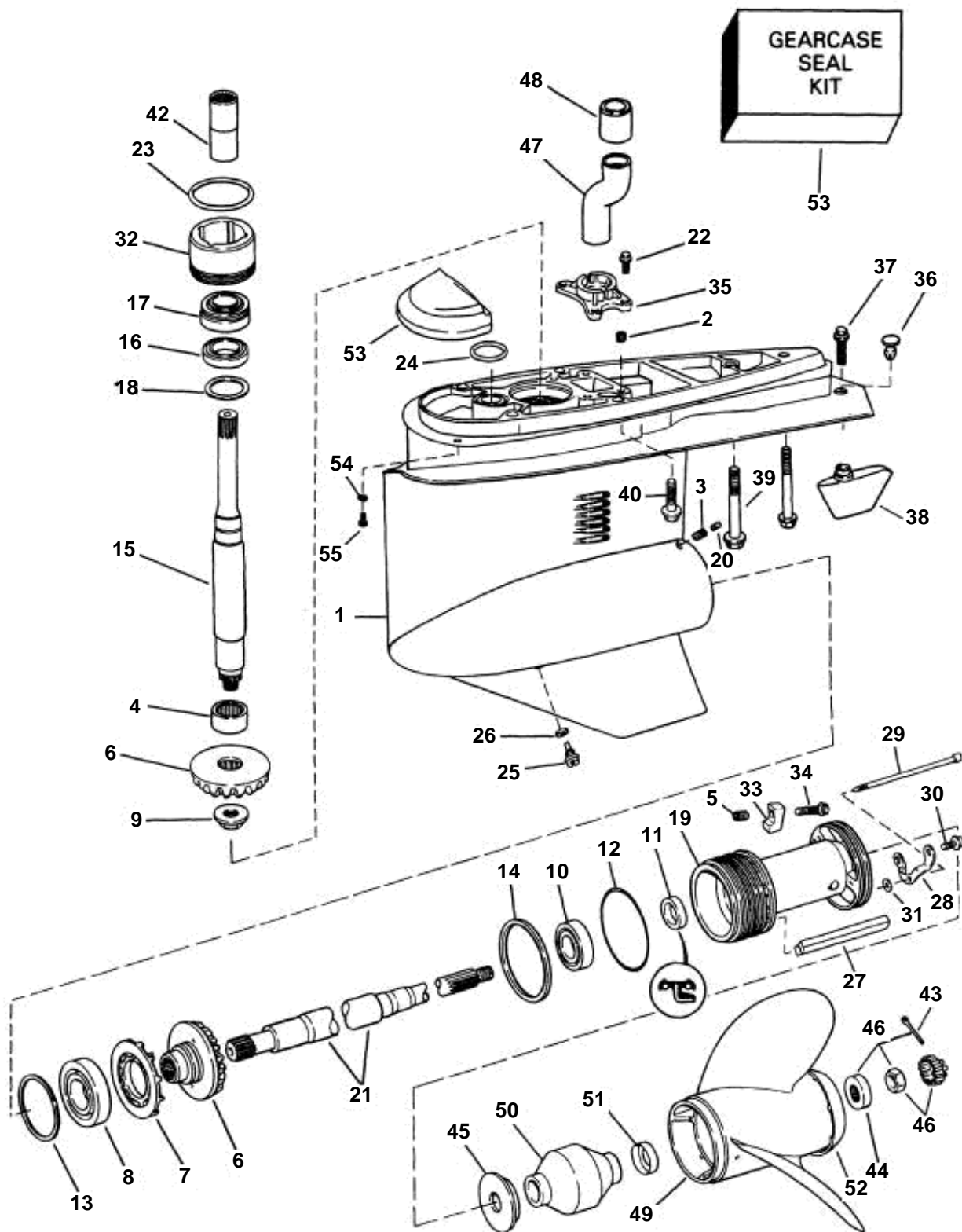


# SX - LOWER GEAR UNIT



# SX - LOWER GEAR UNIT

REF	PART NO.	QTY	DESCRIPTION	SEE SEC.	NOTES
	3854379	1	Drive unit, 1.85:1		
1	3854385	1	• Gear housing		
2	3852513	4	• • Thread insert, W-18		
3	3852567	1	• • Thread insert, 946-18, short		
4	3853934	1	• • Roller bearing, Pinion		
5	3852515	1	• • Thread insert, Prop shaft retainer		
6	3852405	1	• Gear set, 1.85:1		
7	3853941	1	• Pump rotor		
8	3850942	1	• Bearing, Gear to gearcase		
9	3851003	1	• Nut, Pinion to driveshaft		
10	3854249	1	• Bearing, Prop shaft housing		
11	3853474	1	• Seal, Prop shaft housing		Contents of Lower Gearcase Seal Kit
12	3852865	1	• O-ring, Propeller shaft hsg		Contents of Lower Gearcase Seal Kit
13	3850695	X	• Adjusting washer, Gear position, 0.002 in		
	3852886	X	• Shim, Gear position, 0.003 in		
	3852885	X	• Shim, Gear position, 0.004 in		
	3852887	X	• Shim, Gear position, 0.005 in		
	3852888	X	• Shim, Gear position, 0.010 in		
14	3852881	X	• Adjusting washer, Shim, prop shaft hsg, 0.096"		
	3852882	X	• Adjusting washer, Shim, prop shaft hsg., 0.098"		
	3852868	X	• Adjusting washer, Shim, prop shaft hsg., 0.100"		
	3852869	X	• Adjusting washer, Shim, prop shaft hsg., 0.102"		
	3852870	X	• Adjusting washer, Shim, prop shaft hsg., 0.104"		
	3852871	X	• Adjusting washer, Shim, prop shaft hsg., 0.106"		
	3852872	X	• Adjusting washer, Shim, prop shaft hsg., 0.108"		
	3852873	X	• Adjusting washer, Shim, prop shaft hsg., 0.110"		
	3852874	X	• Adjusting washer, Shim, prop shaft hsg., 0.112"		
	3852875	X	• Adjusting washer, Shim, prop shaft hsg., 0.114"		
	3852876	X	• Adjusting washer, Shim, prop shaft hsg., 0.116"		
	3852877	X	• Adjusting washer, Shim, prop shaft hsg., 0.118"		
	3852878	X	• Adjusting washer, Shim, prop shaft hsg., 0.120"		
	3852879	X	• Adjusting washer, Shim, prop shaft hsg., 0.122"		
	3852880	X	• Adjusting washer, Shim, prop shaft hsg., 0.124"		
15	3852337	1	• Countershaft, Lower		
16	3854249	1	• Bearing, Driveshaftl lower		
17	3854250	1	• Bearing, Driveshaftl upper		
18	3852889	X	• Shim, Pinion position, 0.003 in		
	3852890	X	• Shim, Pinion position, 0.004 in		
	3852891	X	• Shim, Pinion position, 0.005 in		
	3852892	X	• Shim, Pinion position, 0.010 in		
19	3853492	1	• Housing, Propeller shaft		
20	3853272	1	• Screw, Prop shaft housing		
21	3852271	1	• Driveshaft		
22	3852454	4	• Screw, Guide & seal		
23	3852866	1	• O-ring, Support housing		Contents of Lower Gearcase Seal Kit
24	3852959	1	• O-ring, Oil passage		Contents of Lower Gearcase Seal Kit
25	3854539	1	• Plug, Gearcase plug		
26	3855081	1	• O-ring, Gearcase plug (a)		Contents of Lower Gearcase Seal Kit
27	3852970	1	• Anode, Prop shaft housing		

# SX - LOWER GEAR UNIT

REF	PART NO.	QTY	DESCRIPTION	SEE SEC.	NOTES
28	3852971	1	· Retainer, Anode		
29	3852972	1	· Screw, Anode		
30	3853309	2	· Screw, Anode retainer		
31	3852973	1	· Washer, Anode		
32	3852883	1	· Retainer, Driveshaft		
33	3853371	1	· Retainer, Prop shaft housing		
34	3852478	1	· Screw, Prop shaft retainer		
35	3853932	1	· Guide, Water tube (a)		Contents of Lower Gearcase Seal Kit
36	3850662	1	Plug, Trim tab hole		
37	3852008	1	Screw, Trim tab		
38	3854402	1	Trim fin		
39	3852349	1	Screw, Lower to upper housing		
40	3853262	4	Screw, Lower to upper housing		
41	3852960	1	Screw, Lower to upper housing		
42	3852268	1	Splined sleeve, Intermediate		
			Bulletin P-44-1-6	P-44-1-6-EN	Lower Gear Unit
43	3852056	1	Pin, Propeller		
44	3852350	1	Spacer, Propeller nut		
45	3852020	1	Bushing		
46	3850984	1	Propeller nut, Propeller		
47	3852314	1	Tube, Water supply		
48	3852315	1	Seal, Water supply tube		Contents of Lower Gearcase Seal Kit
49	3850315	1	Propeller, 15 x 15		Left-Hand Rotation, Stainless Steel
	3850316	1	Propeller, 15 x 17		Left-Hand Rotation, Stainless Steel
			Bulletin 56-11	56-11-EN	Replacement of SX Propellers
49	3850317	1	Propeller, 14 ½ x 19		Left-Hand Rotation, Stainless Steel
			Bulletin 56-11	56-11-EN	Replacement of SX Propellers
49	3850318	1	Propeller, 14 ¼ x 21		Left-Hand Rotation, Stainless Steel
			Bulletin 56-11	56-11-EN	Replacement of SX Propellers
49	3850319	1	Propeller, 14 ¼ x 23		Left-Hand Rotation, Stainless Steel
			Bulletin 56-11	56-11-EN	Replacement of SX Propellers
49	3850320	1	Propeller, 15 x 17		Left-Hand Rotation, Polished Stainless Steel
			Bulletin 56-11	56-11-EN	Replacement of SX Propellers
49	3850321	1	Propeller, 14 ½ x 19		Left-Hand Rotation, Polished Stainless Steel
			Bulletin 56-11	56-11-EN	Replacement of SX Propellers
49	3850322	1	Propeller, 14 ¼ x 21		Left-Hand Rotation, Polished Stainless Steel
			Bulletin 56-11	56-11-EN	Replacement of SX Propellers
49	3850323	1	Propeller, 14 ¼ x 23		Left-Hand Rotation, Polished Stainless Steel
			Bulletin 56-11	56-11-EN	Replacement of SX Propellers
49	3850304	1	Propeller, 15 ½ x 14		Right-Hand Rotation, Stainless Steel
	3850305	1	Propeller, 15 x 15		Right-Hand Rotation, Stainless Steel
	3850306	1	Propeller, 15 x 16		Right-Hand Rotation, Stainless Steel
	3850307	1	Propeller, 15 x 17		Right-Hand Rotation, Stainless Steel
			Bulletin 56-11	56-11-EN	Replacement of SX Propellers
49	3850308	1	Propeller, 14 ½ x 19		Right-Hand Rotation, Stainless Steel
			Bulletin 56-11	56-11-EN	Replacement of SX Propellers
49	3850309	1	Propeller, 14 ¼ x 21		Right-Hand Rotation, Stainless Steel
			Bulletin 56-11	56-11-EN	Replacement of SX Propellers
49	3850310	1	Propeller, 14 ¼ x 23		Right-Hand Rotation, Stainless Steel
			Bulletin 56-11	56-11-EN	Replacement of SX Propellers
49	3850298	1	Propeller, 15 ¼ x 13		Right-Hand Rotation, Aluminum
	3850299	1	Propeller, 15 ¼ x 15		Right-Hand Rotation, Aluminum
	3850300	1	Propeller, 15 x 17		Right-Hand Rotation, Aluminum
	3850301	1	Propeller, 14 ¼ x 19		Right-Hand Rotation, Aluminum
	3850302	1	Propeller, 14 ¼ x 21		Right-Hand Rotation, Aluminum
	3850303	1	Propeller, 14 ¼ x 23		Right-Hand Rotation, Aluminum
	3850311	1	Propeller, 15 x 17		Right-Hand Rotation, Polished Stainless Steel
			Bulletin 56-11	56-11-EN	Replacement of SX Propellers

# SX - LOWER GEAR UNIT

REF	PART NO.	QTY	DESCRIPTION	SEE SEC.	NOTES
49	3850312	1	Propeller, 14 ¼ x 19		Right-Hand Rotation, Polished Stainless Steel
			Bulletin 56-11	56-11-EN	Replacement of SX Propellers
49	3850313	1	Propeller, 14 ¼ x 21		Right-Hand Rotation, Polished Stainless Steel
			Bulletin 56-11	56-11-EN	Replacement of SX Propellers
49	3850314	1	Propeller, 14 ¼ x 23		Right-Hand Rotation, Polished Stainless Steel
			Bulletin 56-11	56-11-EN	Replacement of SX Propellers
50	3850324	1	· Propeller bushing, Propeller		Aluminum
	3850325	1	· Propeller bushing, Propeller		Stainless Steel, Polished Stainless Steel
51	3850831	1	· Sleeve, Bushing		
52	3854241	1	· Ring, Converging		Aluminum
53	3853818	1	Zinc anod, Gearcase		
			Bulletin P-44-1-1	P-44-1-1-EN	Anodes, SX AND DP-S
54	3852182	2	Lock washer, Anode		
55	3852186	2	Screw, Anode		
56	3850597	1	Sealing kit		