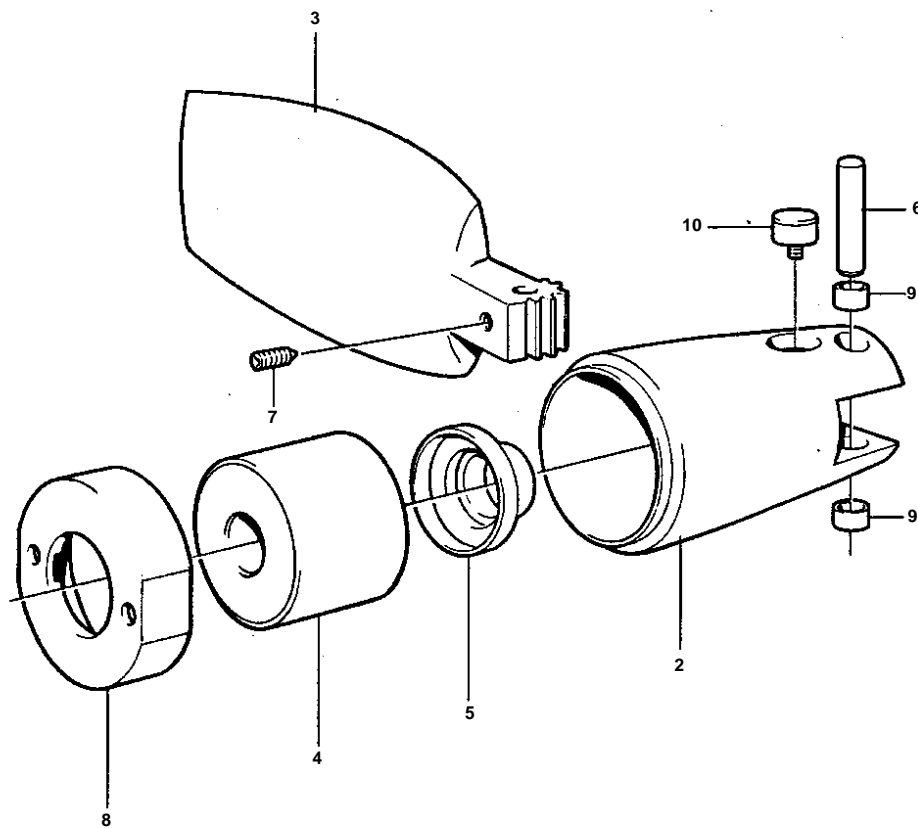


①



5920

REF	PART NO.	QTY	DESCRIPTION	NOTES
1		1	Propeller	15X9
2		1	· PROPELLER HUB	
3		1	· Propeller blade	
4		1	· BUSHING	
5		1	· ATTACHMENT	
6	839511	2	· Shaft	
7	947904	2	· Set screw	
8	839513	1	· Zink ring	
9	850856	4	· Bushing	WITHOUT FLANGE.
	852153	4	· Bushing	WITH FLANGE.
10	852019	2	· Zinc anode kit	(851466)