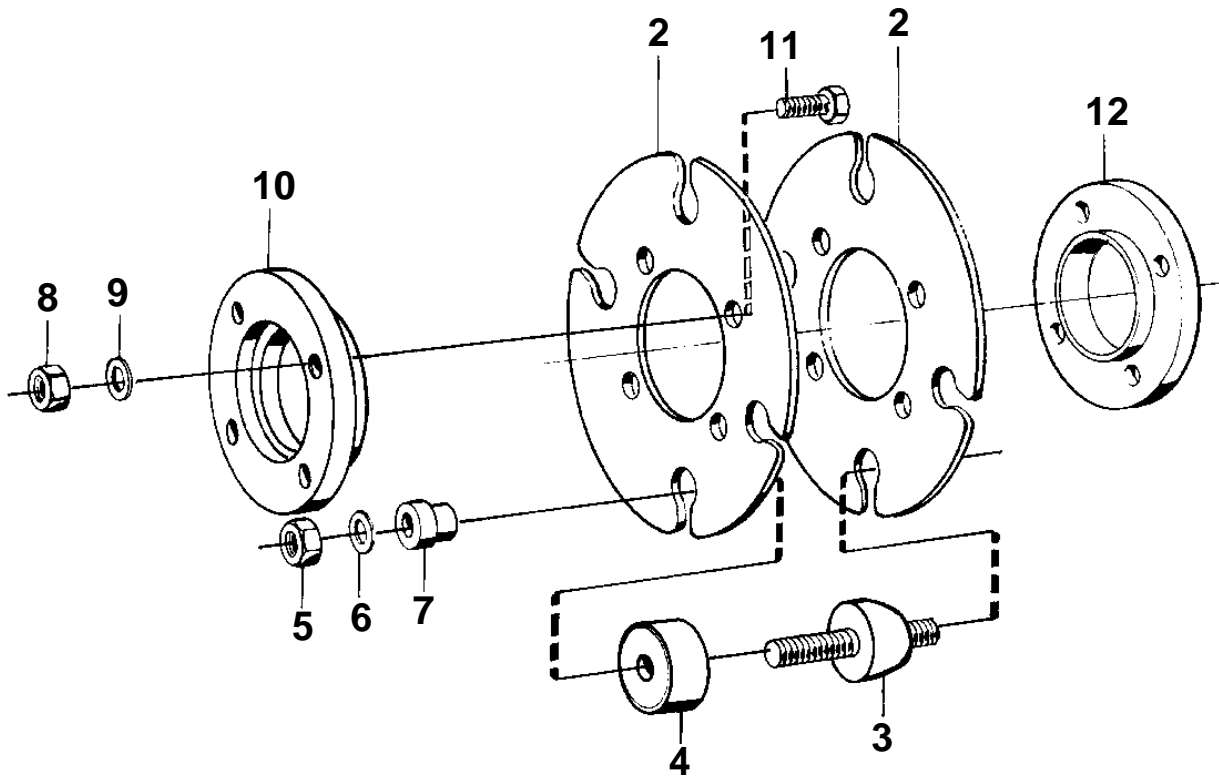


1



3946

REF	PART NO.	QTY	DESCRIPTION	NOTES
1	833626	1	Companion flange	MD1B SPEC 897142, 867229. MD2B SPEC 867122, 867230,. MD11 SPEC 867208. MD5A. MD6A SPEC 867149, 867217, 867233, 867234. MD6B SPEC 867309, MD7. MB10 SPEC 867047, 867191, 867254.
2	803125	2	· Friction disc	
3	803762	4	· Rubber cushion	
4	803748	4	· Protecting casing	
5	955850	8	· Nut	
6	940280	8	· Spring washer	
7	802976	8	· Washer	
8	955783	4	· Nut	
9	941908	4	· Spring washer	
10	827935	1	· Guide ring	
11	955317	4	· Screw	L = 25 MM
	955319	4	· Screw	L = 35 MM
12	803029	1	· Guide ring	