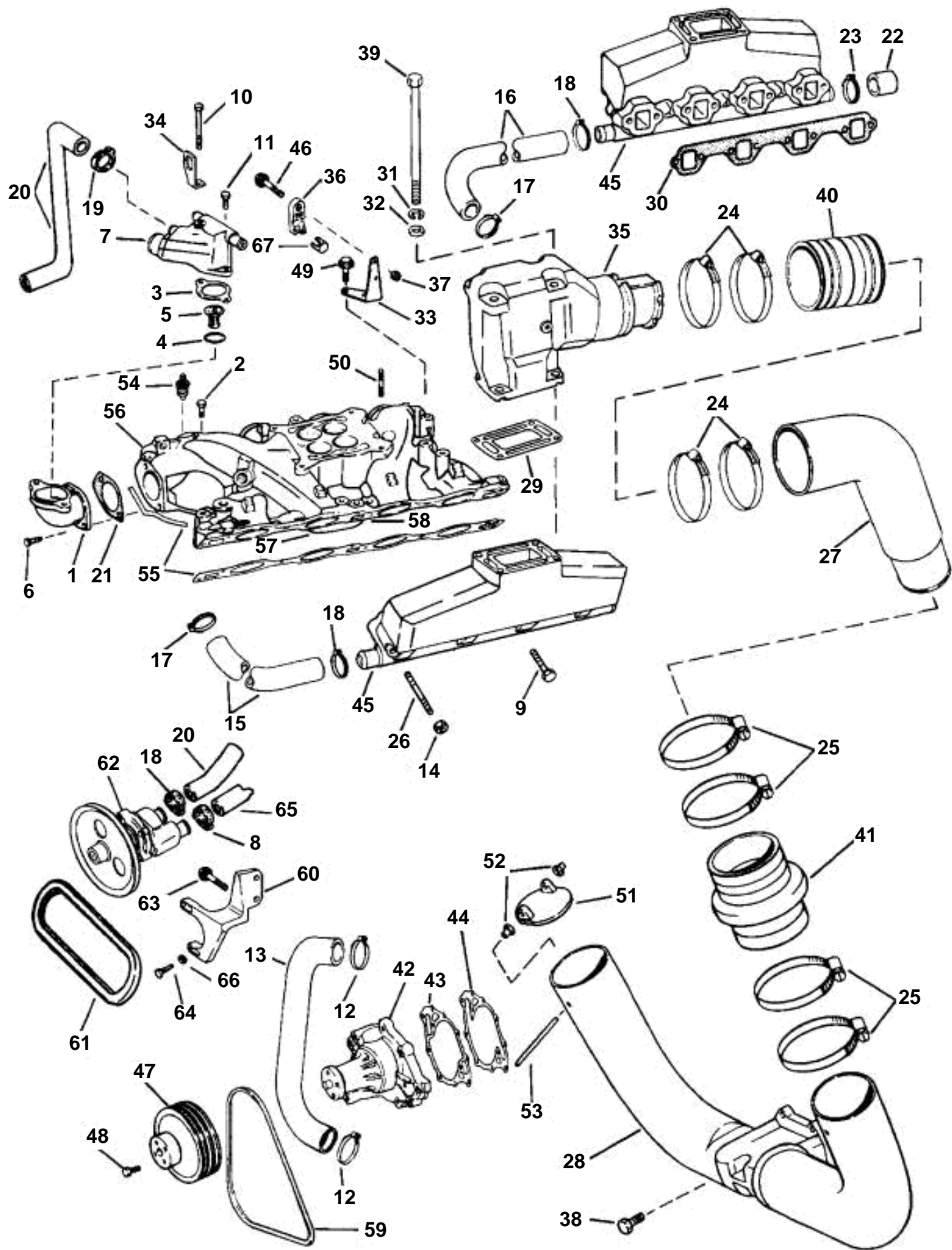


# INTAKE MANIFOLD, EXHAUST, & COOLING, FL



# INTAKE MANIFOLD, EXHAUST, & COOLING, FL

REF	PART NO.	QTY	DESCRIPTION	SEE SEC.	NOTES
1	3853245	1	Adapter, Thermostat housing		
2	3853036	14	Screw, Intake manifold		5.8L, screw under coil is 38533949
3	3852111	1	Gasket, Thermostat housing to adapter		
4	3852071	1	O-ring, Thermostat		
5	3852216	1	Thermostat		
6	3853471	2	Screw, Adapter		
7	3850360	1	Thermostat housing, Thermostat		
8	3850422	1	Clamp, Water hose inlet		
9	3853155	6	Screw, Manifold to engine		
10	3853391	1	Screw, Therm. hsg., long		
11	3853401	1	Screw, Therm. hsg., short		
12	3852098	2	Clamp, Therm. hsg		
13	3852300	1	Hose, Therm. hsg. to pump		
14	3853404	10	Lock nut, Exhaust manifold		
15	3853633	1	Hose, Thermostat housing to manifold, port		
16	3853420	1	Hose, Thermostat housing to manifold, starboard		
17	3853780	2	Clamp, Therm. hsg		
18	3852602	2	Clamp, Exhaust manifold		
19	3852602	1	Clamp, Thermostat inlet		
20	3852287	1	Hose, Pump to thermostat		
21	3852456	1	Gasket, Adapter to intake		
22	3852476	2	Cap, Manifold		
23	3852602	2	Clamp, Manifold cap		
24	3853860	8	Clamp, Exhaust pipe		
25	3852604	8	Clamp, Exhaust pipe		
26	3853434	10	Stud, Manifold		
27	3853384	2	Exhaust pipe		5.0 2V models
	3853386	2	Exhaust pipe		5.8 4V models
	3850213	2	Exhaust pipe		
28	3850794	1	Exhaust pipe		
	3851000	1	Exhaust pipe		
29	3850496	2	Gasket, Elbow to manifold		
			Bulletin P-25-1-1	P-25-1-1-EN	Riser Gasket Replaced
30	3852455	2	Gasket, Manifold to engine		
31	3852002	8	Lock washer, Elbow to manifold		
32	3852058	8	Washer, Exhaust elbow		
33	3850223	1	Bracket, Throttle anchor		5.0 2V models
	3850224	1	Bracket, Throttle anchor		5.8 4V models
34	3852649	1	Bracket		
35	3855270	2	Exhaust pipe		
36	3850266	1	Anchorage, Throttle cable		
37	3852118	1	Nut, Throttle anchor		
38	3855472	4	Screw, Pipe to gimbal		
39	3852830	8	Screw, Elbow to manifold		
40	3852696	2	Exhaust hose, Manifold to pipe		
41	3852741	2	Hose, Upper pipe to lower (SX)		
	3852741	2	Hose, Upper pipe to lower (5.8 DP)		
	3852742	2	Exhaust hose, Upper pipe to lower (5.0 DP)		
42	3853796	1	Coolant pump		
43	3850596	1	Gasket, Water pump plate		
44	3852824	1	Gasket, Water pump to engine		
45	3852347	2	Exhaust pipe, Exhaust		
46	3852048	1	Screw, Throttle anchor		
47	3854187	1	Pulley, Water pump		
48	3853390	4	Screw, Water pump pulley		
49	3853428	2	Screw, Throttle bracket		
50	3853074	4	Stud, Intake manifold		5.0 2V models
	3853100	4	Stud, Intake manifold		
51	3853864	2	Seal		Not for DP
			Bulletin P-25-1-2	P-25-1-2-EN	Exhaust Seal Obsolete
52	3853566	4	Bushing, Pin		Not for DP
53	3852753	2	Pin, Exhaust seal		Not for DP
54	3853787	1	Temperature sensor, Water temp		5.0 2V models
	3852029	1	Sender, Water temp		5.8 4V models

7797017 - - 0-0009

GR999908

Upd: 21 MAR 2006

HU 5.0 FL, 5.8 FL; 5.0 Fi, 5.8 Fi; 5.8 Fsi

**VOLVO**  
**PENTA**

# INTAKE MANIFOLD, EXHAUST, & COOLING, FL

REF	PART NO.	QTY	DESCRIPTION	SEE SEC.	NOTES
54	828258	1	Temperature sensor, Water temp., Dual station		5.8 4V models
	3855701	1	Temperature sensor, Water temp., Dual station		5.8 4V models
55	3853912	1	Gasket kit, Intake		5.0 2V models
	3853913	1	Gasket kit, Intake		5.8 4V models
56	3853910	1	Inlet pipe		5.0 2V models
	3853911	1	Manifold		5.8 4V models
57	3853493	1	Fitting, Intake manifold'		5.0 2V models
	3854396	1	Baffle, Intake manifold		5.8 4V models
58	3852421	4	Screw, Baffle		5.8 4V models
59	3852106	1	V-belt, Alternator pulley		
60	3852312	1	Bracket, Water pump		
61	3852348	1	V-belt, Water pump		
62	3851623	1	Sea water pump		See page 27
63	3853326	2	Screw, Bracket to engine		
64	3853397	2	Screw, Water pump to bracket		
65	3852286	1	Hose, Cooler to water pump		
66	3852054	2	Washer, Bracket to pump		