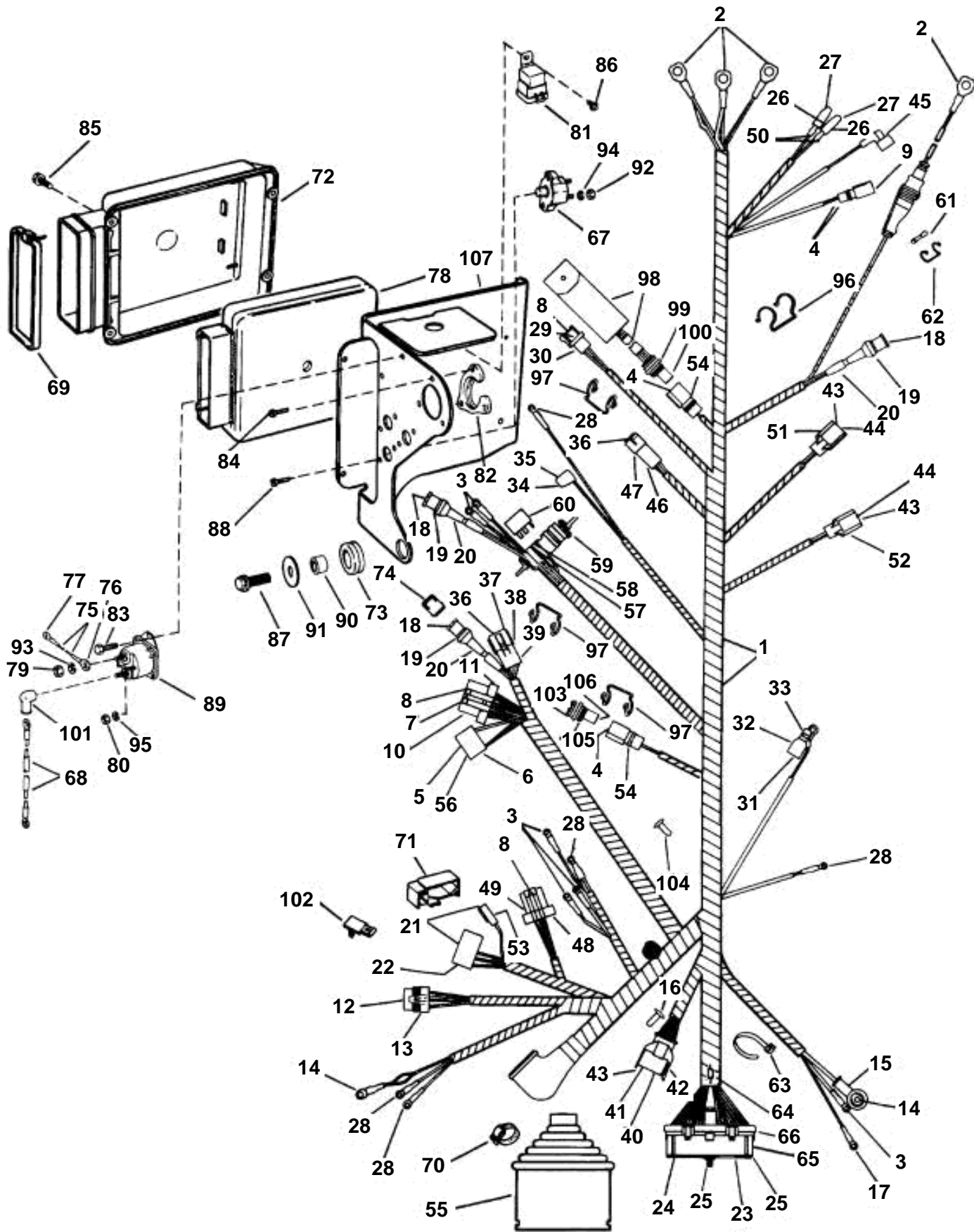


ENGINE WIRE HARNESS & BRACKET, Fi / FSi



ENGINE WIRE HARNESS & BRACKET, Fi / FSi

REF	PART NO.	QTY	DESCRIPTION
1	3854877	1	Cable, Engine
2	3852527	4	· Cable terminal
3	3852235	7	· Cable terminal
4	3852229	10	· Cable terminal, Pin
5	3853675	1	· Cable terminal, E-coil
6	3853705	1	· Connector, E-coil
7	3853534	2	· Cable terminal, Ignition module
8	3853676	9	· Cable terminal
9	3853565	1	· Connector, Trim senler
10	3853677	1	· Retainer, Ignition module
11	3853678	1	· Connector, Ignition module
12	3852254	4	· Cable terminal, Relay
13	3854192	1	· Connector
14	3852107	2	· Cable terminal
15	3852130	1	· Rubber cap, Alternator
16	3852230	3	· Plug
17	3852036	1	· Cable terminal, Alternator ground
18	3853679	6	· Cable terminal
19	3852260	3	· Connector
20	3853681	3	· Cover
21	3853682	5	· Cable terminal, Self test
22	3853683	1	· Cable terminal, Test output
23	3853533	12	· Cable terminal
24	3853684	15	· Cable terminal
25	3853685	1	· Retainer, ECA module
26	3852244	2	· Cable terminal, Water flow
27	3852181	2	· Cap, Water flow
28	3852233	5	· Cable terminal, Ring
29	3853689	1	· Retainer, Bypass solenoid
30	3853690	1	· Connector, Bypass solenoid
31	3853479	1	· Cable terminal, Temperature switch
32	3853478	1	· Seal, Temperature switch
33	3853480	1	· Terminal casing, Temperature switch
34	3852084	1	· Cable terminal, Oil switch
35	3853320	1	· Cover, Oil switch
36	3853691	6	· Cable terminal
37	3853692	3	· Cable terminal, Distributor
38	3853693	1	· Retainer, Distributor
39	3853694	1	· Connector, Distributor
40	3853695	1	· Cable terminal, Fuel injector
41	3853696	1	· Retainer, Fuel injector
42	3853697	1	· Connector, Fuel injector
43	3853698	12	· Cable terminal
44	3853699	2	· Retainer
45	3853995	1	· Connector, Knock sensor
46	3853700	1	· Retainer, Throttle position
47	3853701	1	· Connector, Throttle position
48	3853702	1	· Retainer, MAP sensor
49	3854115	1	· Connector, MAP sensor
50	3852248	2	· Cable sleeve, Water flow
51	3853703	1	· Connector, Air charge
52	3854114	1	· Housing, Engine coolant
53	3853704	1	· Connector, Test input
54	3852242	2	· Pin connector, 4 pin
55	3853706	1	· Cable sleeve, ECA module
56	3853707	1	· Cable terminal, E- coil
57	3852246	3	· Cable terminal, Fuel pump
58	3852247	1	· Cable terminal, Fuel pump
59	3852210	1	· Bracket, Fuel pump
60	3852259	1	· Relay, Fuel pump
61	3850985	1	· Fuse
62	3852499	1	· Retainer, Fuse
63	3852158	1	· Lock strap, ECA boot
64	3852258	3	· Diode

ENGINE WIRE HARNESS & BRACKET, Fi / FSi

REF	PART NO.	QTY	DESCRIPTION
65	3853688	1	· Connector, ECA
66	3853569	1	Bracket, Electrical components
67	3854162	1	Breaker, 12 1/2 Amp
	3854164	1	Fuse, 50 amp
	3854186	1	Fuse, 60 Amp
68	3854205	1	Cable, Solenoid to solenoid
69	3853752	1	Lock strap, ECA module
70	3853786	1	Clamp, Instrument cable
71	3853611	1	Cover, Self test output
72	3854189	1	Cover, ECA module
73	3852195	3	Grommet, Electrical bracket
74	3853643	1	Bridge connector, Timing test lead
75	3854185	2	Cable, Solenoid to breaker
76	3852037	1	· Cable terminal
77	3852245	1	· Cable terminal
78	3854889	1	Control unit, ECA, 5.OFi
	3854890	1	Control unit, ECA, 5.8Fi
	3854886	1	Control unit, ECA, 5.8FSi
79	3852042	2	Nut, Assist solenoid
80	3852064	2	Nut, Assist solenoid
81	3854138	1	Relay, Engine control
82	3852825	1	Retainer, Engine cable
83	3852194	2	Screw, Start assist solenoid
84	3852208	3	Screw, Retainer
85	3852208	4	Screw, ECA cover
86	3852212	1	Screw, ECA relay
87	3852454	3	Screw, Electrical bracket
88	3853620	6	Screw, Circuit breaker
89	3853839	1	Solenoid, Starter
90	3853617	3	Sleeve, Bushing
91	3852136	3	Washer, Electrical bracket
92	3852064	6	Nut, Circuit breaker
93	3852055	2	Washer, Assist solenoid
94	3852001	6	Lock washer, Circuit breaker
95	3852001	4	Lock washer, Assist solenoid
96	3852237	1	Retainer, Trim cable
97	3852238	2	Retainer
98	3854216	1	Control unit, Knock
99	3852241	1	· Connector, 4 socket
100	3852257	4	· Cable terminal, Socket
101	3852487	2	Protective cap, Cable
102	3853734	1	Clip, Self test cover
103	3852411	1	Connector
104	3852230	2	· Plug, Connector seal
105	3852241	1	· Connector, 4 socket
106	3852257	1	· Cable terminal, Socket