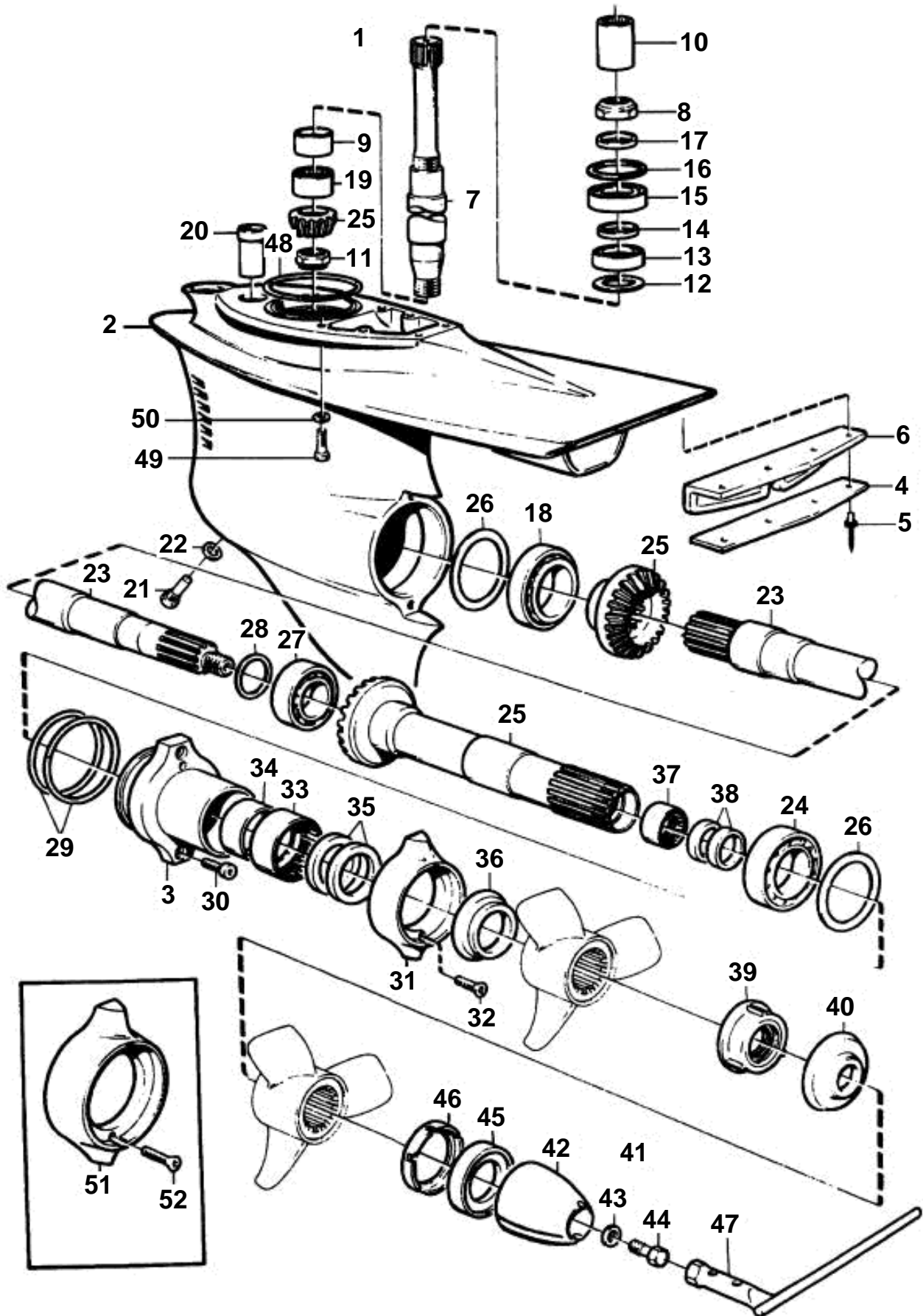


DP-D1 - LOWER GEAR UNIT (RATIO 1.78:1)



DP-D1 - LOWER GEAR UNIT (RATIO 1.78:1)

| REF | PART NO. | QTY | DESCRIPTION | SEE SEC. | NOTES |
|-----|----------|-----|-----------------------|-------------|---|
| 1 | 872769 | 1 | Gear under | | Also available as an exchange part |
| | 3803188 | 1 | Gear under, exchange | | Exchange unit |
| 2 | 872307 | 1 | · Gear housing | | |
| 3 | 854053 | 1 | · · Bearing housing | | |
| 4 | 872439 | 1 | · · Attaching plate | | |
| 5 | 977711 | 4 | · · · Pop rivet | | |
| 6 | 872438 | 1 | · · Check valve | | |
| 7 | 854611 | 1 | · Intermedi.shaft kit | | |
| 8 | 969071 | 1 | · · Round nut | | |
| 9 | 184682 | 1 | · · Cone | | |
| 10 | 854553 | 1 | · · Splined sleeve | | |
| | | | · · Bulletin P-44-1-6 | P-44-1-6-EN | Lower Gear Unit |
| 11 | 852212 | 1 | · Nut | | |
| 12 | 941832 | X | · Adjusting washer | | |
| | 941833 | X | · Adjusting washer | | |
| 13 | 183374 | 1 | · Ball bearing | | |
| 14 | 944970 | X | · Adjusting washer | | |
| 15 | 11072 | 1 | · Roller bearing | | |
| 16 | 944522 | X | · Shim | | |
| | 42981 | X | · Shim | | |
| | 968057 | X | · Shim | | |
| | 42980 | X | · Shim | | |
| 17 | 897387 | 1 | · Spacer ring | | |
| 18 | 11044 | 1 | · Bearing | | |
| 19 | 184654 | 1 | · Needle bearing | | |
| 20 | 814482 | 1 | · Oil pump screen | | |
| 21 | 852904 | 1 | · Magnetic plug | | |
| 22 | 955974 | 1 | · O-ring | | |
| 23 | 872533 | 1 | · Driveshaft | | |
| 24 | 184765 | 1 | · Roller bearing | | |
| 25 | 854464 | 1 | · Gear set | | |
| 26 | 967352 | X | · Adjusting washer | | |
| | 941823 | X | · Adjusting washer | | |
| | 967351 | X | · Adjusting washer | | |
| | 941824 | X | · Adjusting washer | | |
| | 941825 | X | · Adjusting washer | | |
| 27 | 184691 | 1 | · Bearing | | |
| 28 | 191834 | X | · Shim | | |
| | 191835 | X | · Shim | | |
| | 191837 | X | · Shim | | |
| 29 | 925258 | 2 | · O-ring | | |
| 30 | 941812 | 2 | · Screw | | |
| 31 | 875821 | 1 | · Zinc ring kit | | |
| 32 | 966808 | 2 | · · Screw | | |
| 33 | 183859 | 1 | · Needle bearing | | |
| 34 | 184683 | 1 | · Cone | | |
| 35 | 851407 | 2 | · Sealing ring | | |
| 36 | 872871 | 1 | · Line cutter | | |
| 37 | 183272 | 1 | · Needle bearing | | |
| 38 | 853871 | 1 | · Sealing ring kit | | |
| 39 | 873049 | 1 | · Propeller nut | | |
| 40 | 872872 | 1 | · Line cutter | | |
| 41 | 872549 | 1 | · Propeller cone kit | | |
| 42 | | 1 | · · PROPELLER CONE | | |
| 43 | 943194 | 1 | · · Washer | | |
| 44 | 872546 | 1 | · · Lock screw | | |
| 45 | 853676 | 1 | · · Spacer ring | | |
| 46 | 854294 | 1 | · · Plastic washer | | |
| 47 | 873058 | 1 | · Tool kit | | |
| 48 | 925256 | 1 | O-ring | | Included in complete duoprop drive unit |
| 49 | 941810 | 4 | Screw | | Included in complete duoprop drive unit |
| 50 | 853095 | 4 | Washer | | Included in complete duoprop drive unit |
| 51 | 876138 | 1 | Magnesium kit | | Included in complete duoprop drive unit |
| 52 | 966808 | 2 | · Screw | | |

7797017 - - 0-0048

GR999946

Upd: 21 MAR 2006

HU 5.0 FL, 5.8 FL; 5.0 Fi, 5.8 Fi; 5.8 Fsi

VOLVO
PENTA