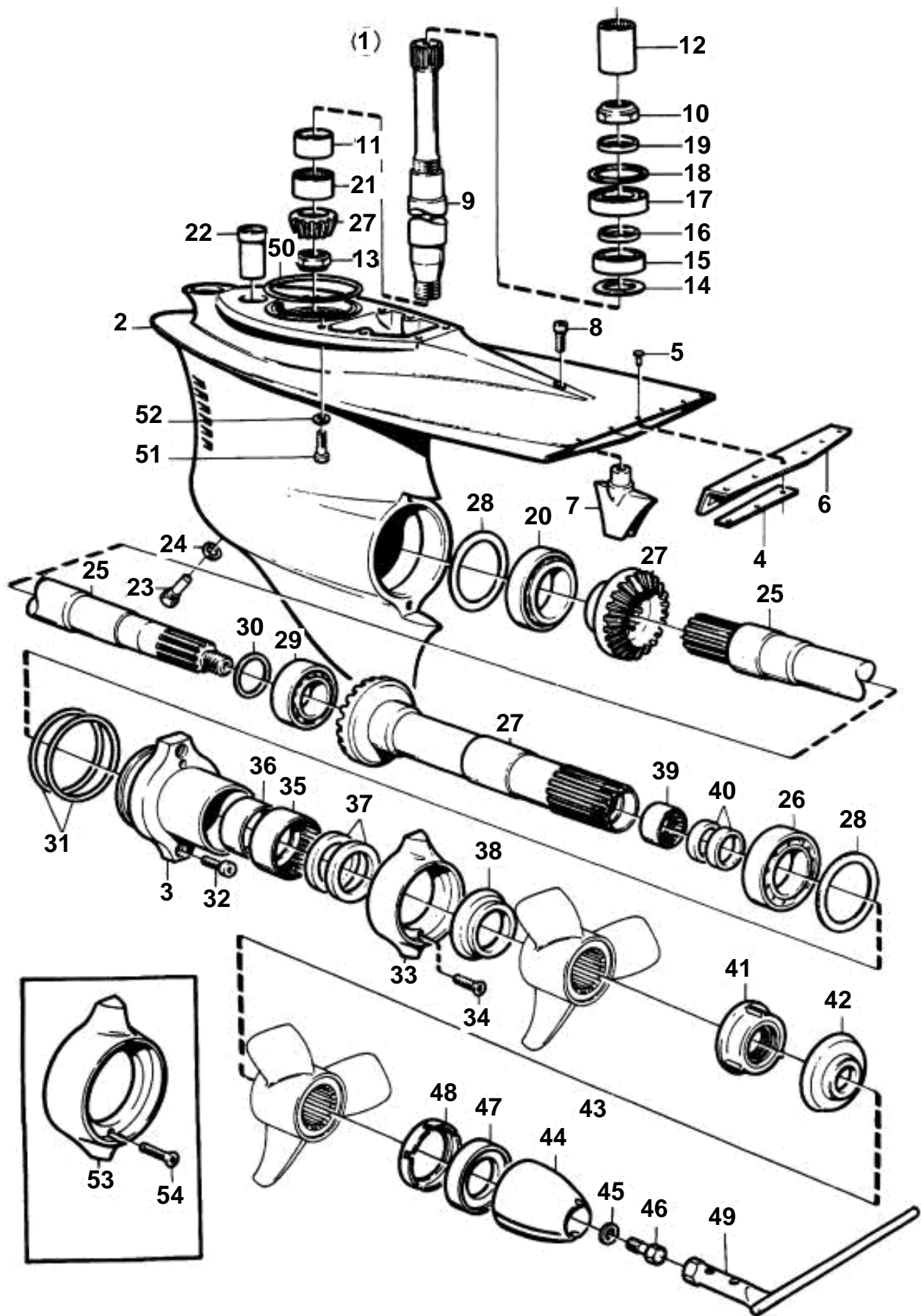


DP-C1 -LOWER GEAR UNIT RATIO 2.30:1; 1.95:1



DP-C1 -LOWER GEAR UNIT RATIO 2.30:1; 1.95:1

REF	PART NO.	QTY	DESCRIPTION	SEE SEC.	NOTES
1	872765	1	Gear under		Also available as an exchange part.
	3803184	1	Gear under, exchange		Exchange unit
	872766	1	Gear under		Also available as an exchange part.
	3803185	1	Gear under, exchange		Exchange unit
2	854051	1	· Housing		
3	854053	1	· · Bearing housing		
4	852643	2	· · Attaching plate		
5	948338	6	· · Pop rivet		
6	852644	1	· · Check valve		
7	854054	1	· Steering fin		
8	941817	1	· Screw		
9	854611	1	· Intermedi.shaft kit		
10	969071	1	· Round nut		
11	184682	1	· · Cone		
12	854553	1	· · Splined sleeve		
			· · Bulletin P-44-1-6	P-44-1-6-EN	Lower Gear Unit
13	852212	1	· Nut		
14	941832	X	· Adjusting washer		
	941833	X	· Adjusting washer		
15	183374	1	· Ball bearing		
16	944970	X	· Adjusting washer		
17	11072	1	Roller bearing		
18	944522	X	· Shim		
	42981	X	· Shim		
	968057	X	· Shim		
	42980	X	· Shim		
19	897387	1	· Spacer ring		
20	11044	1	· Bearing		
21	184654	1	· Needle bearing		
22	814482	1	· Oil pump screen		
23	852904	1	· Magnetic plug		
24	955974	1	· O-ring		
25	852181	1	· Driveshaft		For PIN 872765-3. Replaced by propeller shaft 872533-5 + propeller cone kit.
	872533	1	· Driveshaft		For P/N 872766-1
26	184765	1	· Roller bearing		
27	852380	1	· Gear set		
	852174	1	· Gear set		
28	967352	X	· Adjusting washer		
	941823	X	· Adjusting washer		
	967351	X	· Adjusting washer		
	941824	X	· Adjusting washer		
	941825	X	· Adjusting washer		
29	184691	1	· Bearing		
30	191834	X	· Shim		
	191835	X	· Shim		
	191837	X	· Shim		
31	925258	2	· O-ring		
32	941812	2	· Screw		
33	875821	1	· Zinc ring kit		
34	966808	2	· · Screw		
35	183859	1	· Needle bearing		
36	184683	1	· Cone		
37	851407	2	· Sealing ring		
38	872871	1	· Line cutter		
39	183272	1	· Needle bearing		
40	853871	1	· Sealing ring kit		
41	873049	1	· Propeller nut		
42	872872	1	· Line cutter		
43	872549	1	· Propeller cone kit		
44		1	· · PROPELLER CONE		
45	943194	1	· · Washer		
46	872546	1	· · Lock screw		
47	853676	1	· · Spacer ring		

7797017 - - 0-0043

GR999942

Upd: 21 MAR 2006

HU 5.0 FL, 5.8 FL; 5.0 Fi, 5.8 Fi; 5.8 Fsi

VOLVO
PENTA

DP-C1 -LOWER GEAR UNIT RATIO 2.30:1; 1.95:1

REF	PART NO.	QTY	DESCRIPTION	SEE SEC.	NOTES
48	854294	1	· · Plastic washer		
49	873058	1	· Tool kit		
50	925256	1	O-ring		Included in complete duo prop drive unit.
51	941810	4	Screw		Included in complete duo prop drive unit.
52	853095	4	Washer		Included in complete duo prop drive unit.
53	876138	1	Magnesium kit		To be used in fresh water.
54	966808	2	· Screw		