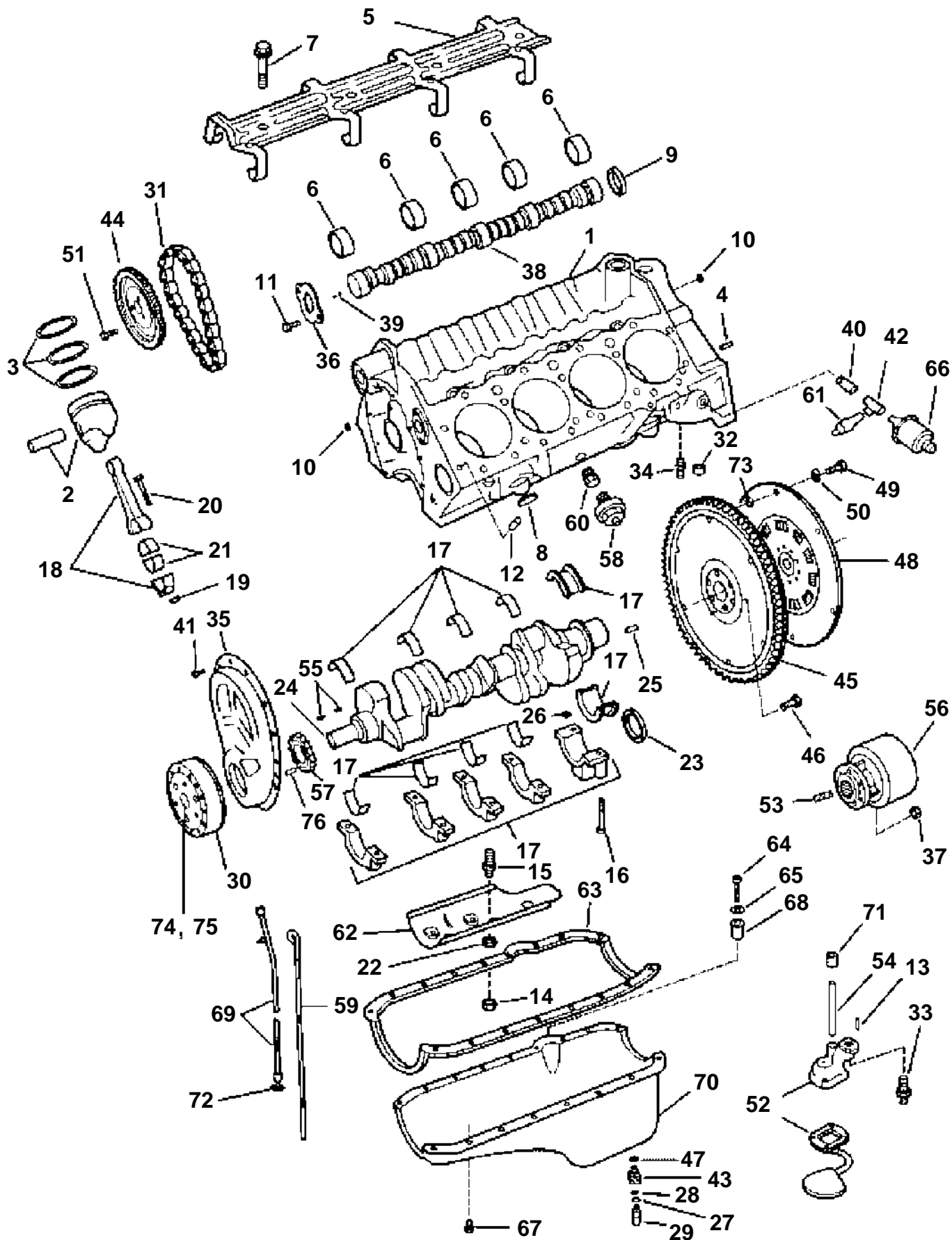


# CRANKCASE AND OIL PAN



# CRANKCASE AND OIL PAN

REF	PART NO.	QTY	DESCRIPTION	SEE SEC.	NOTES
1	3856688	1	Longblock		7.4 GSi/DPX
			Bulletin P-21-0-6	P-21-0-6-EN	Longblock Guidelines, 7.4L and 8.2L
1	3856689	1	Longblock		8.2 GSi/DPX
			Bulletin P-21-0-6	P-21-0-6-EN	Longblock Guidelines, 7.4L and 8.2L
1	3857711	1	Longblock		Gi
			Bulletin P-21-0-6	P-21-0-6-EN	Longblock Guidelines, 7.4L and 8.2L
2	3850027	8	Piston kit, Standard		8.2 GSi/DPX
	3850028		Piston kit, 0.032 in. OS		8.2 GSi/DPX; as required
	3856023	8	Piston, Standard		7.4 GSi/DPX
	3856025		Piston, 0.030 in. OS		7.4 GSi/DPX; as required
	3857481	8	Piston, Standard		Gi
	3857482		Piston, 0.030 in. OS		Gi; as required
3	3855039	8	Piston ring kit, Standard		7.4 Gi/GSi/DPX
	3855040		Piston ring kit, 0.030 in. OS		7.4 Gi/GSi/DPX; as required
4	3856001	2	Pin, Flywheel housing		
5	3855999	1	Retainer		
6	3856881	1	Camshaft bearing kit, Cam		
7	3853358	4	Screw, Lifter guide retainer		
8	3852100	8	Core plug, Expansion		
9	3853348	1	Cap plug, Camshaft		
10	3855972	1	Pin, Oil pump		
11	3853172	2	Screw, Camshaft retainer		
12	3853344	4	Locating pin, Cylinder head location		
13	3855972	1	Pin, Oil pump		
14	3853134	5	Nut, Oil baffle		
15	3855982	4	Stud, Bearing cap		
16	3853500	10	Screw, Bearing cap , outer		
	3853501	10	Screw, Bearing cap, inner		
17	3856880	1	Main bearing kit, Main, standard		
18	3854079	8	Connecting rod		Gi
	3853355	8	Connecting rod		GSi/DPX
19	3853413	16	Nut, Connecting rod		Gi
	3856016	16	Nut, Connecting rod		GSi/DPX
20	3853481	16	Screw, Connecting rod		Gi
	3853356	16	Screw, Connecting rod		GSi/DPX
21	3855985	8	Rod bearing, Connecting rod, standard		
22	3853357	5	Washer, Oil deflector		
23	3853528	1	Crankshaft seal, Rear main		
24	3853509	1	Crankshaft		Gi
	3855050	1	Crankshaft		7.4 GSi/DPX 385
	3853586	1	Crankshaft		8.2 GSi/DPX 415
25	3855969	1	Pin, Flywheel		
26	3853538	1	O-ring, Bearing cap		
27	3852007	1	Washer, Retainer, oil pan drain		
28	3853674	1	O-ring, Retainer, oil pan drain		
29	3850822	1	Hollow screw, Fitting, oil pan drain		
30	3857474	1	Absorber		7.4 Gi/GSi/DPX 385
	3853588	1	Vibration damper		8.2 GSi/DPX 415
31	3853506	1	Camshaft chain		
32	3855996	1	Oil valve, Oil filter by-pass		
33	3853359	1	Stud, Oil pump		
34	3852097	1	Connector		GSi/DPX
35	3855979	1	Cover		
36	3855998	1	Retainer, Camshaft		
37	3853273	6	Lock nut, Stud, coupler		
38	3855993	1	Camshaft		Gi
	3856021	1	Camshaft		GSi/DPX
39	3855972	1	Pin, Cam sprocket		
40	3852465	1	Bushing, Reducer		
41	3855997	6	Screw, Timing cover		
42	3852610	1	T-nipple, Oil pressure		
43	3855112	1	Fitting, Oil pan drain		
44	3855981	1	Camshaft gear, Camshaft		
45	3854093	1	Flywheel		Gi

# CRANKCASE AND OIL PAN

REF	PART NO.	QTY	DESCRIPTION	SEE SEC.	NOTES
45	3854094	1	Flywheel		GSi/DPX
	3853207	1	· Gear ring, Flywheel		Not shown
46	3856130	6	Screw, Flywheel		
47	3851981	1	Sealing washer, Oil pan drain fitting		
48	854185	1	Vibration damper, DP-X		
49	835482	6	Screw, Damper to flywheel		
50	942336	6	Spring washer, Screw, damper to flywheel		
51	3853173	3	Screw, Cam sprocket		
52	3855035	1	Oil pump		
53	3853274	6	Stud, Coupler		
54	3855976	1	Shaft, Oil pump drive		
55	3853527	2	Key, Crankshaft		
56	3853962	1	Rubber coupling, SX, DP-S		
57	3856031	1	Crankshaft gear, Crankshaft		
58	3854512	1	Sensor		GSi/DPX
	3857478	2	Knock sensor		Gi
59	3850474	1	Oil dipstick		
60	3850802	2	Plug, Water drain, engine		
61	3852215	1	Switch		
62	3854090	1	Baffle plate		
63	3853510	1	Gasket, Oil pan		
64	3852179	1	Screw, Oil pan plug		
65	3852188	1	Washer, Oil pan plug		
66	3857532	1	Sender, Oil pressure		
67	3853358	20	Screw, Oil pan		
68	3852611	1	Plug, Oil pan hole		
69	3860215	1	Tube		Gi/GSi
	3854657	1	Tube		DPX
70	3855990	1	Oil pan		
71	3853199	1	Retainer, Oil pump shaft		
72	3852033	1	O-ring, Oil tube to fitting		
73	940097	6	Washer, Damper to flywheel		
74	3853354	1	Washer, Torsional damper		
75	3853502	1	Flange screw, Torsional damper		
76	3855972	2	Pin, Timing cover		