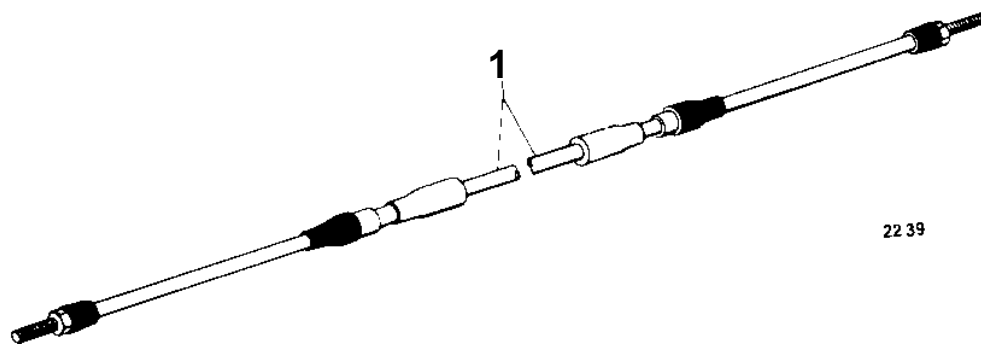
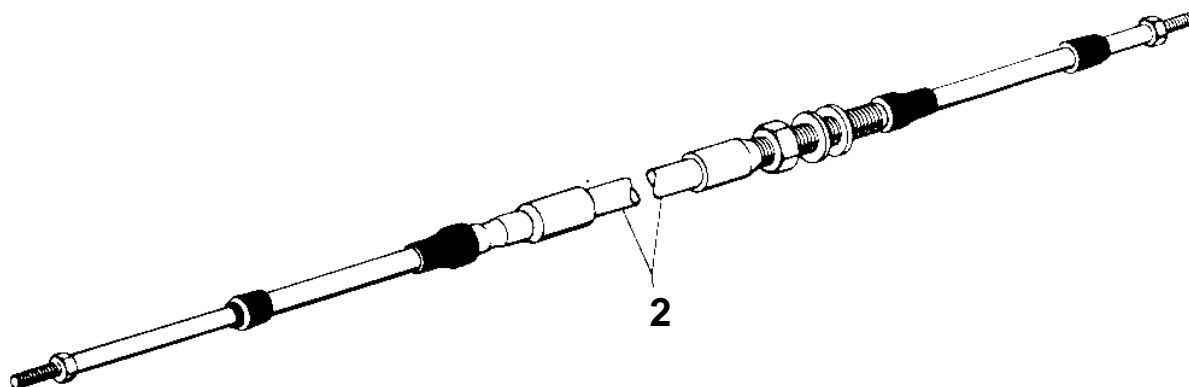


090

COMMON



22 39

COMMON

REF	PART NO.	QTY	DESCRIPTION	NOTES
1			CONTROL CABLE FOR MANEUVERING THE DRIVE UNIT, THE HYDRAULICALLY OPERATED REVERSE GEAR AND ALSO FOR THE ENGINE SPE	
	1140174	X	Control cable	L = 1750 MM
	820255	X	Control cable	L = 2100 MM
	1140178	X	Control cable	L = 2750 MM
	820258	X	Control cable	L = 3000 MM
	1140180	X	Control cable	L = 3250 MM
	1140182	X	Control cable	L = 3750 MM
	804458	X	Control cable	L = 3900 MM
	1140184	X	Control cable	L = 4250 MM
	809997	X	Control cable	L = 4500 MM
	1140186	X	Control cable	L = 4750 MM
	804364	X	Control cable	L = 5100 MM
	804361	X	Control cable	L = 5500 MM
	1140190	X	Control cable	L = 5750 MM
	1140191	X	Control cable	L = 6000 MM
	1140193	X	Control cable	L = 6500 MM
	1140194	X	Control cable	L = 6750 MM
	809999	X	Control cable	L = 7000 MM
	820261	X	Control cable	L = 7300 MM
	804316	X	Control cable	L = 7500 MM
	813907	X	Control cable	L = 7900 MM
	1140199	X	Control cable	L = 8000 MM
	1140200	X	Control cable	L = 8500 MM
	814022	X	Control cable	L = 8800 MM
	1140202	X	Control cable	L = 9500 MM
	827719	X	Control cable	L = 11300 MM
	1140206	X	Control cable	L = 11500 MM
	827721	X	Control cable	L = 11900 MM

COMMON

REF	PART NO.	QTY	DESCRIPTION	NOTES
1	827722	X	Control cable	L = 12200 MM
	1140208	X	Control cable	L = 12500 MM
	828050	X	Control cable	L = 13100 MM
	1140209	X	Control cable	L = 13000 MM
2			CONTROL CABLE FOR MANEUVERING VOLVO PENTA REDUCTION REVERSE GEAR.	
	820301	X	Control cable	L = 2100 MM
	820303	X	Control cable	L = 2700 MM
	820305	X	Control cable	L = 3300 MM
	819786	X	Control cable	L = 3900 MM
	819787	X	Control cable	L = 4500 MM