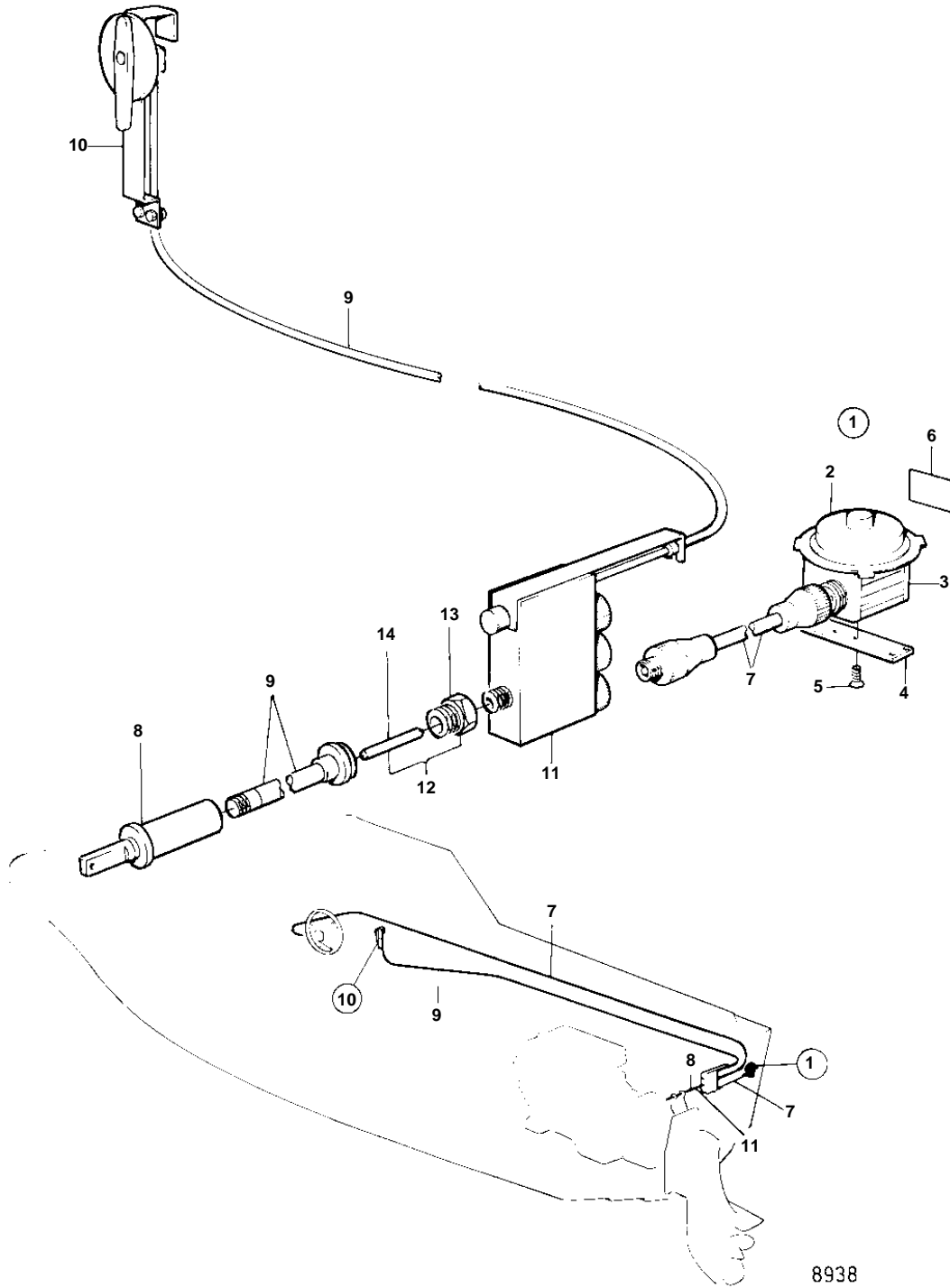


AQ271A,AQ271C



8938

AQ271A,AQ271C

REF	PART NO.	QTY	DESCRIPTION	SEE SEC.	NOTES
1	852031	1	Drive unit		
2	852032	1	· Electrical motor		12V, REPL BY 852031
3		1	· GEAR		
4		1	· BRACKET		
5		2	· SCREW		
6		1	· DECAL		
7		X	STEERING CABLE		*
8		X	STEERING CYLINDER		*
9	825765	X	Stop cable		L = 3300 MM ALT
	825764	X	Stop cable		L = 6900 MM ALT
10	851744	1	Control	060-0255	
11	851743	1	Transfer gear	060-0255	
12	853107	1	Connector kit		
13		1	· ADAPTER		
14	853109	1	· Shaft		