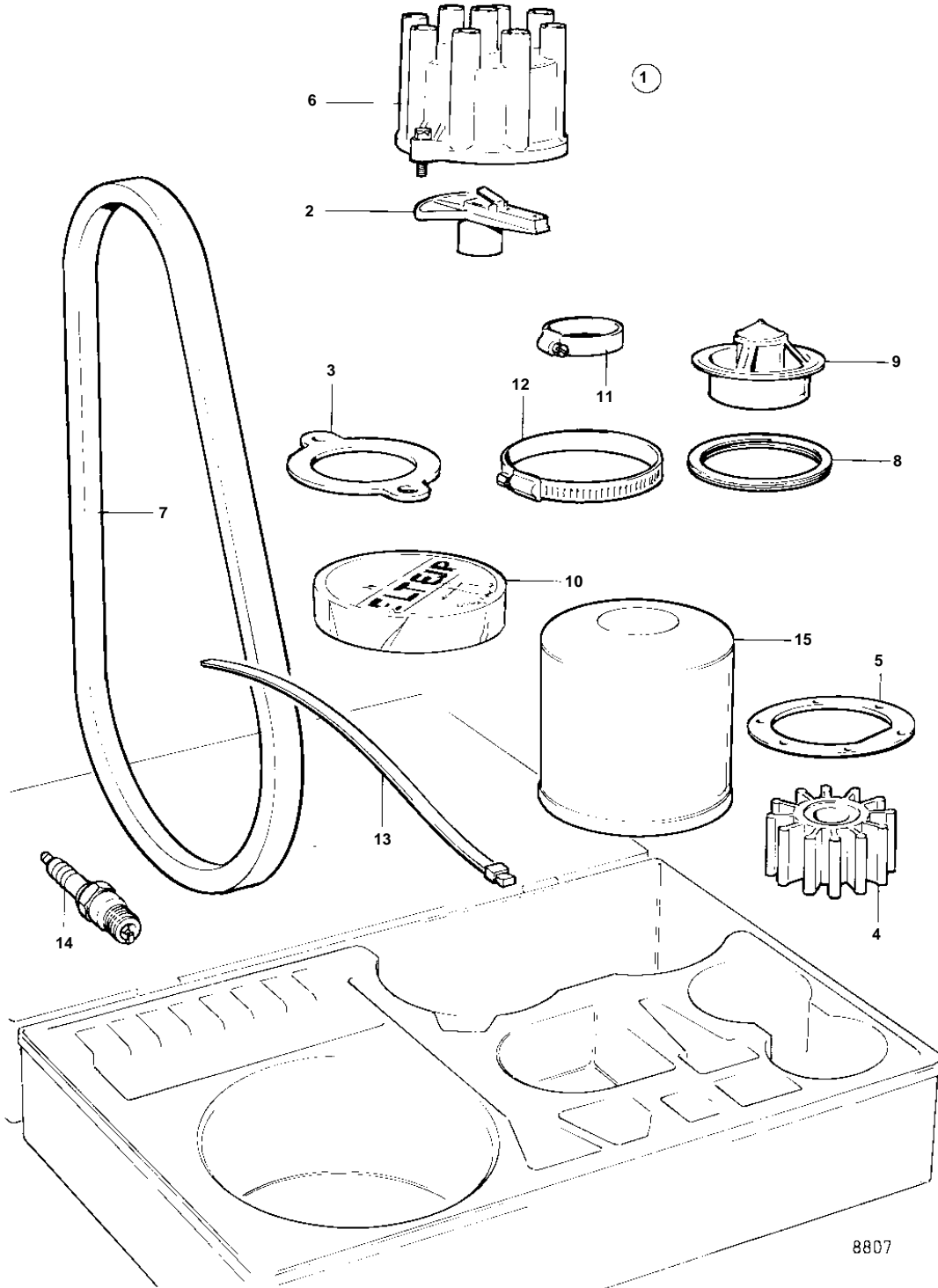


AQ271A,AQ271C



AQ271A,AQ271C

REF	PART NO.	QTY	DESCRIPTION	NOTES
1	856087	1	On board kit	
2	855845	1	· Rotor	
3	416033	1	· Sealing ring	
4		1	· IMPELLER	INCLUDED IN IMPELLER KIT 875811.
5	6611452	1	· Gasket	
6	841070	1	· Cover	
7	958498	1	· V-belt	
8	835417	1	· Gasket	
9		1	· THERMOSTAT	INCLUDED IN THERMOSTAT KIT 876305.
10	858283	1	· Electrical tape	
11	961667	2	· Hose clamp	
12	961672	2	· Clamp	
13	948210	10	· Strip clamp	
14		8	· SPARK PLUG	INCLUDED IN SPARK PLUG KIT 876047.
15	855686	1	· Fuel filter	