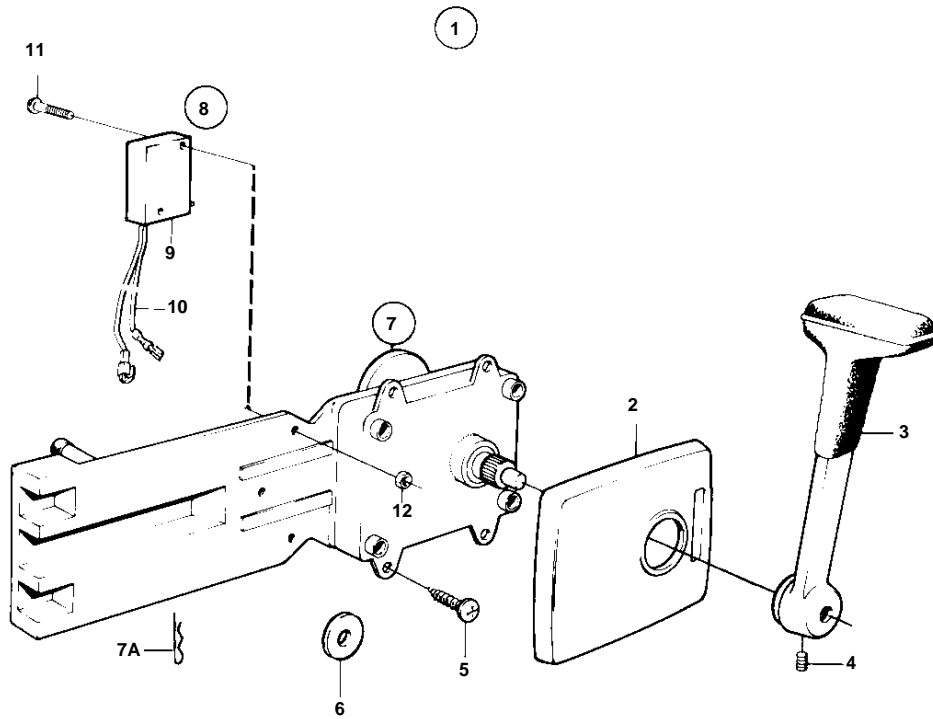


COMMON



9053

COMMON

| REF | PART NO. | QTY | DESCRIPTION | SEE SEC. | NOTES |
|-----|----------|-----|--------------------------|----------|-------------------------|
| 1 | 839515 | 2 | Mounting kit | | REPL BY 851604 |
| 2 | 1140048 | 2 | · Cover | | (839518) |
| 3 | 839520 | 2 | · Lever | | |
| 4 | 946786 | 2 | · Lock screw | | M5 |
| | 839693 | 2 | · Lock screw | | M8 |
| 5 | 955142 | 8 | · Screw | | |
| 7 | 839469 | 2 | Control | | REPL BY 851601 |
| | | | | 090-0280 | |
| 8 | 855352 | 1 | Neutral posit contac | | (841165). MAIN STATION. |
| | 855352 | 1 | Neutral posit contac | | SECOND STATION. |
| 9 | 850200 | 2 | · Switch | | |
| 10 | | X | · · CABLES AND TERMINALS | | SEE GROUP 3 |
| 11 | 946177 | 4 | · Screw | | |
| | 947536 | 4 | · Nut | | |