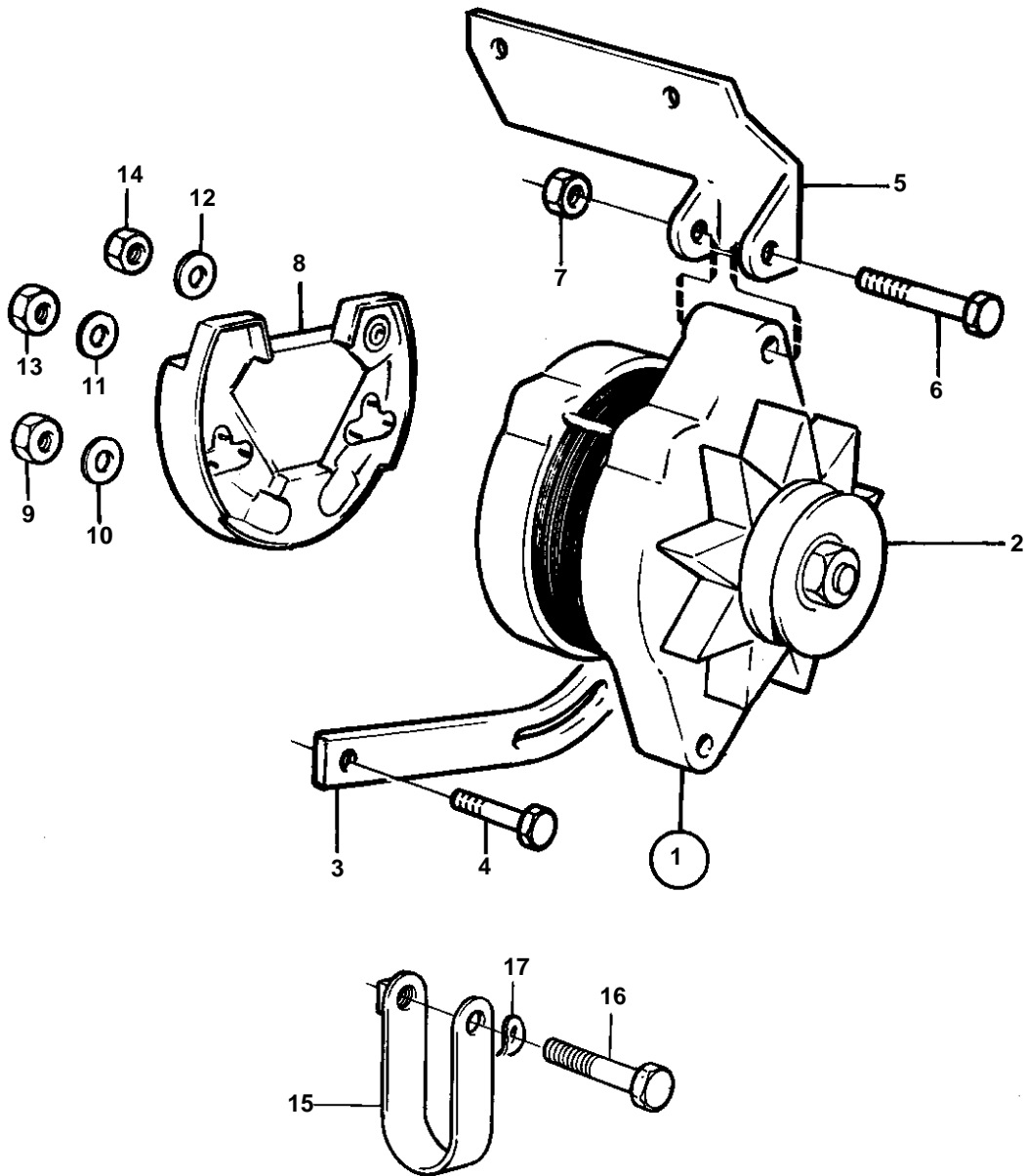


AQ271A,AQ271B,AQ271C,AQ271D



8281

AQ271A,AQ271B,AQ271C,AQ271D

REF	PART NO.	QTY	DESCRIPTION	SEE SEC.	NOTES
1	858838	1	Alternator		14V 50A, SERIAL NO 71372-
				030-0385	
2	841813	1	Pulley		
3	855390	1	Tensioner		SERIAL NO 67511-
4	955534	1	Screw		
5	835913	1	Bracket		
6	955700	1	Screw		
7	950375	1	Nut		
8	840638	1	Charge distributor		REPL BY 858968
	858968	1	Charge distributor		
9	955781	1	Nut		
10	941906	1	Spring washer		
11	941905	1	Spring washer		
12	941907	1	Spring washer		
13	955781	1	Nut		+
14	955780	1	Nut		-
15	466735	1	Tensioning eyelet		
16	955298	1	Screw		
17	941907	1	Spring washer		