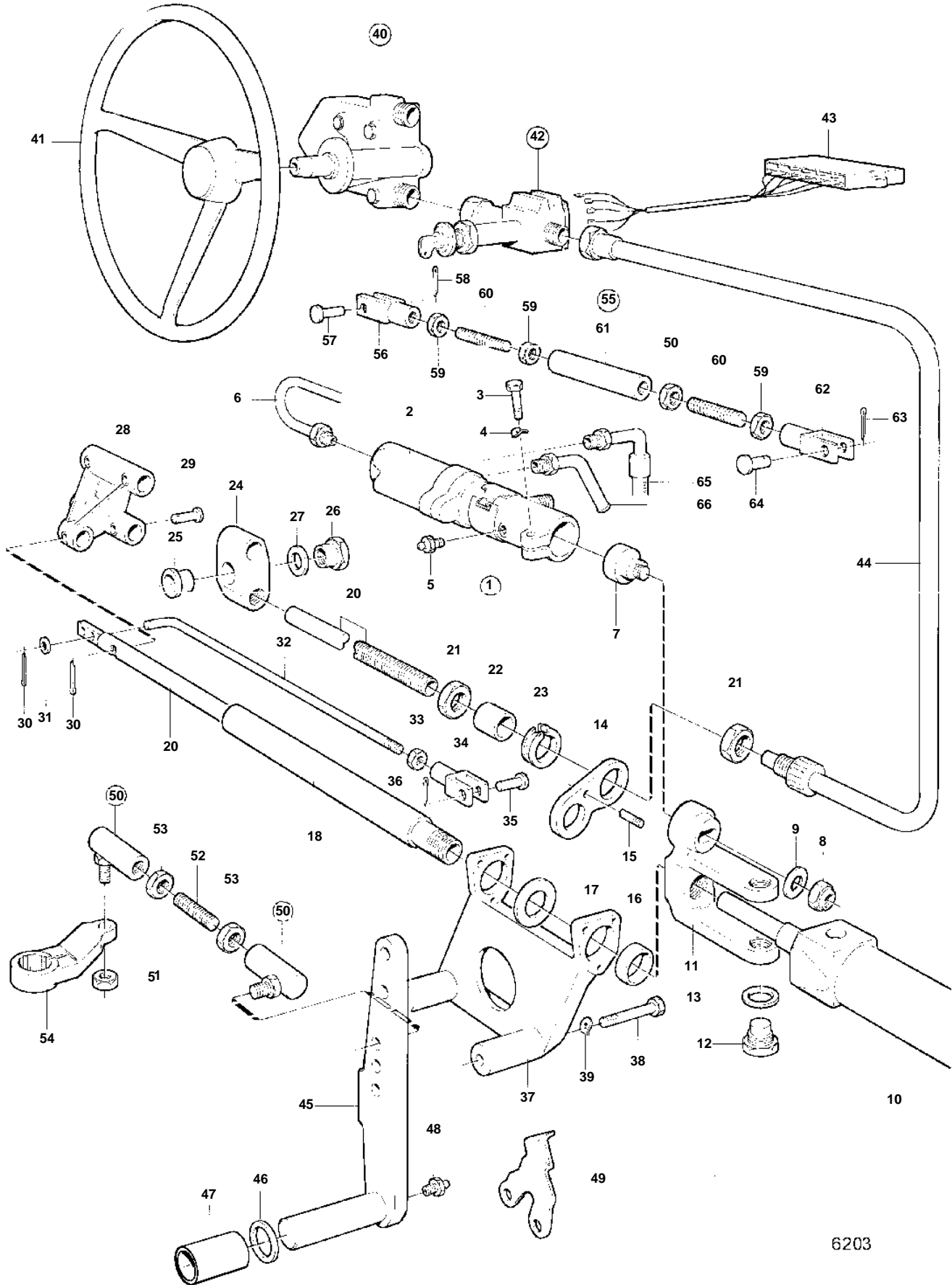


AQ225D



6203

**AQ225D**

REF	PART NO.	QTY	DESCRIPTION	SEE SEC.	NOTES
1	851454	1	Cylinder		
2	851367	1	• Valve	060-0270	
3	955535	1	• Screw		
4	942336	1	• Spring washer		
5	951741	1			
6	851368	1	• Tube		
	851369	1	• Tube		
7	851357	1	• Shoulder screw		
8	950386	1	• Nut		
9	955898	1	• Washer		
10	851354	1	• Hydraulic cylinder		
11	851351	1	• Bracket		
12	851353	2	• Screw		
13	941912	2	• Spring washer		
14	851360	1	• Guide		
15	851361	1	• Guide pin		
16	850960	1	• Bushing		
17	955904	1	• Washer		
18	851356	1	• Tube		
19	851355	1	• Push rod		
20	850771	1	• Anchorage		FOR FLYING BRIDGE INSTALLATION USE 2PC ATTACHMENT PIPE FOR FLYING BRIDGE INSTALLATION USE 2PC ATTACHMENT PIPE 850771. AND 6EA NUT 850778. 850771, AND 6EA NUT 850778.
21	850778	2	• Nut		
22	851366	1	• Guide tube		
23	851365	1	• Guide bushing		
24	851542	1	• Bracket		
25	851543	1	• Bushing		
26	851359	1	• Nut		
27	941914	1	• Spring washer		
28	851362	1	• End piece		
29	851382	3	• Clevis pin		
30	964960	5	• Cotter pin		
31	940097	1	Washer		
32	850478	1	Link rod		
33	940154	1	Nut		
34	956511	1	Fork		
35	913158	1	Clevis pin		
36	907856	1	Cotter pin		
37	850958	1	Guide bracket		
38	955541	2	Screw		
39	942336	2	Spring washer		
40	850809	1	Steering head		
				060-0300	
41	850936	1	Steering wheel		
42	839544	1	Steering lock		
				060-0350	
43	839617	1	Extension cable\verl		
44	853185	X	Steering cable		L = 3000 MM
	850811	X	Steering cable		L = 3300 MM
	853188	X	Steering cable		L = 3750 MM
	853189	X	Steering cable		L = 4000 MM
	853190	X	Steering cable		L = 4250 MM
	850815	X	Steering cable		L = 4500 MM
	850816	X	Steering cable		L = 4800 MM
	853193	X	Steering cable		L = 5000 MM
	853194	X	Steering cable		L = 5500 MM
	853195	X	Steering cable		L = 6000 MM
	828866	X	Steering cable		L = 6750 MM
	853287	X	Steering cable		L = 8000 MM
	853288	X	Steering cable		L = 8500 MM
45	851385	1	Link arm		

**AQ225D**

REF	PART NO.	QTY	DESCRIPTION	SEE SEC.	NOTES
46	955906	1	Washer		
47	850653	1	Bushing		SEE GROUP 4A
48	914169	1	Lubricating nipple		
49	850489	1	Stop arm		
50	875772	2	Ball joint kit		
51	851326	2	· Lock nut		
52	850736	1	Control rod		
53	940152	2	Nut		
54	850488	1	Spindle arm		SEE GROUP 4A
55	828913	1	Link stay		ONLY FOR TWIN INSTALLATION.. ADJUSTABLE BETWEEN 610-970 MM.
56	956511	1	· Fork		
57	913158	1	· Clevis pin		
58	907856	1	· Cotter pin		
59	940154	4	· Nut		
60	839577	2	· Rod		
61	839576	1	· Tube		L = 560 MM
	850775	1	· Tube		L = 360 MM. ONLY INCLUDED IN 850776.
62	956511	1	· Fork		
63	907856	1	· Cotter pin		
64	913158	1	· Clevis pin		
65	851526	1	Hose, HOSE		L = 1400 MM
				060-0270	
66	851529	1	Connector	060-0270	