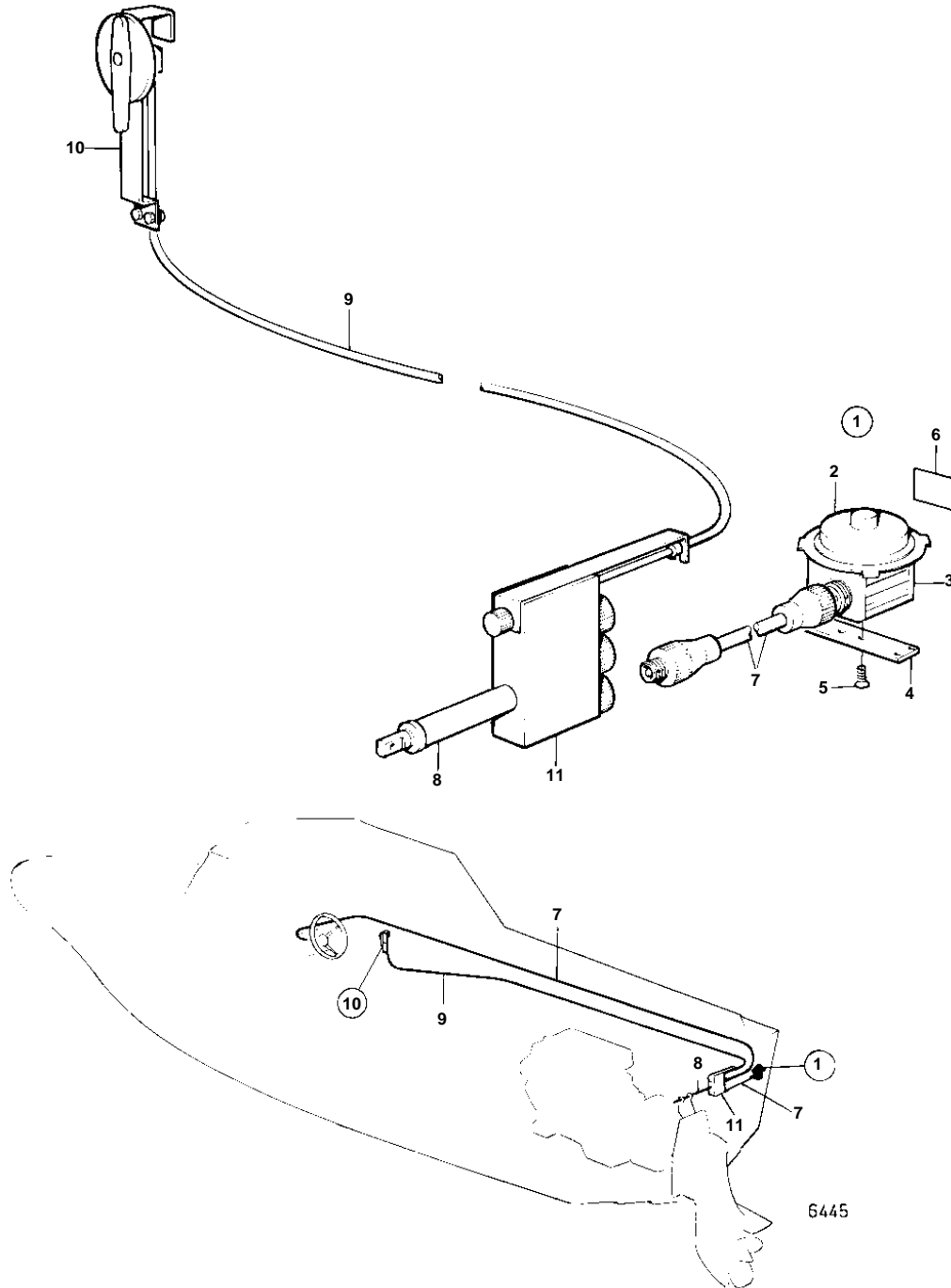


AQ225D, BB225



AQ225D,BB225

REF	PART NO.	QTY	DESCRIPTION	SEE SEC.	NOTES
1	852031	1	Drive unit		
2	852032	1	· Electrical motor		12V
3		1	· GEAR		
4		1	· BRACKET		
5		2	· SCREW		
6		1	· DECAL		
7		X	STEERING CABLE	060-0200	
				060-0250	
8		X	STEERING CYLINDER	060-0200	
				060-0250	
9	825765	X	Stop cable		L = 3300 MM ALT
	825764	X	Stop cable		L = 6900 MM ALT
10	851744	1	Control	060-0255	
11	851743	1	Transfer gear	060-0255	