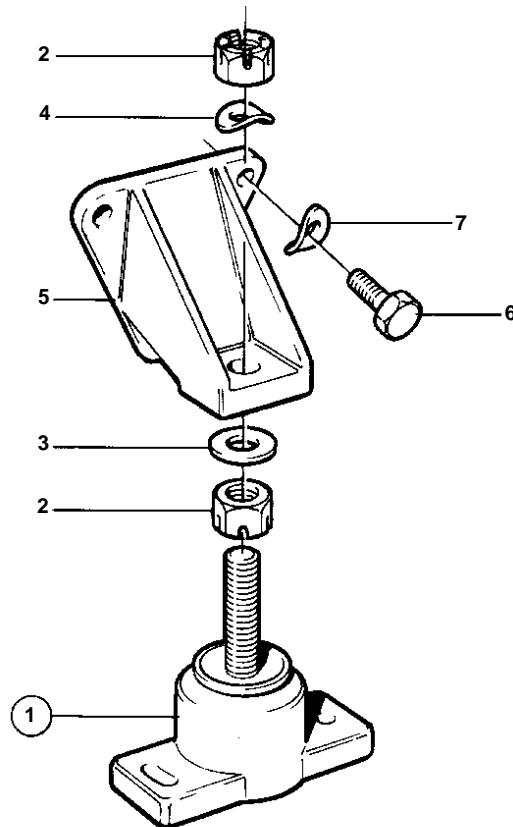
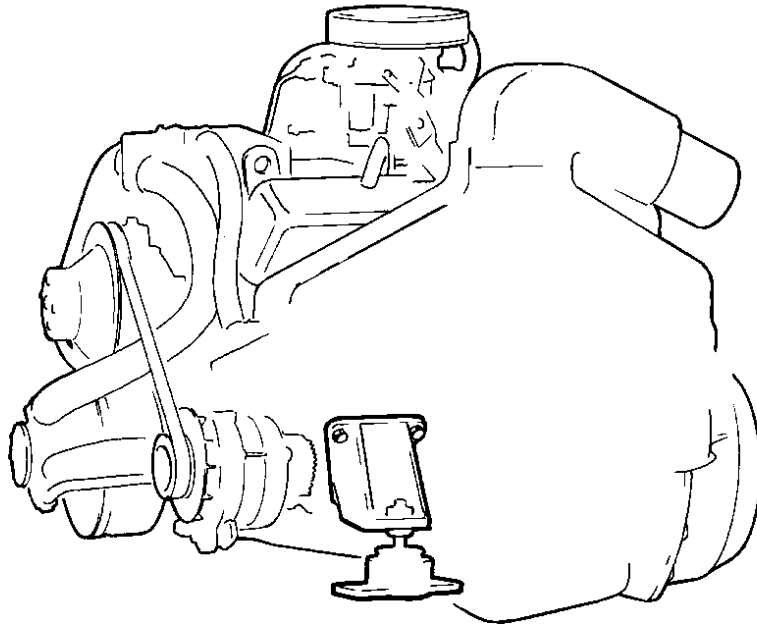


AQ225D,AQ225E



6116

AQ225D,AQ225E

REF	PART NO.	QTY	DESCRIPTION
1	835449	2	Rubber cushion
2	944236	4	Lock nut
3	955900	2	Washer
4	941912	2	Spring washer
5	835459	2	Bracket
6	955535	6	Screw
7	942336	6	Spring washer