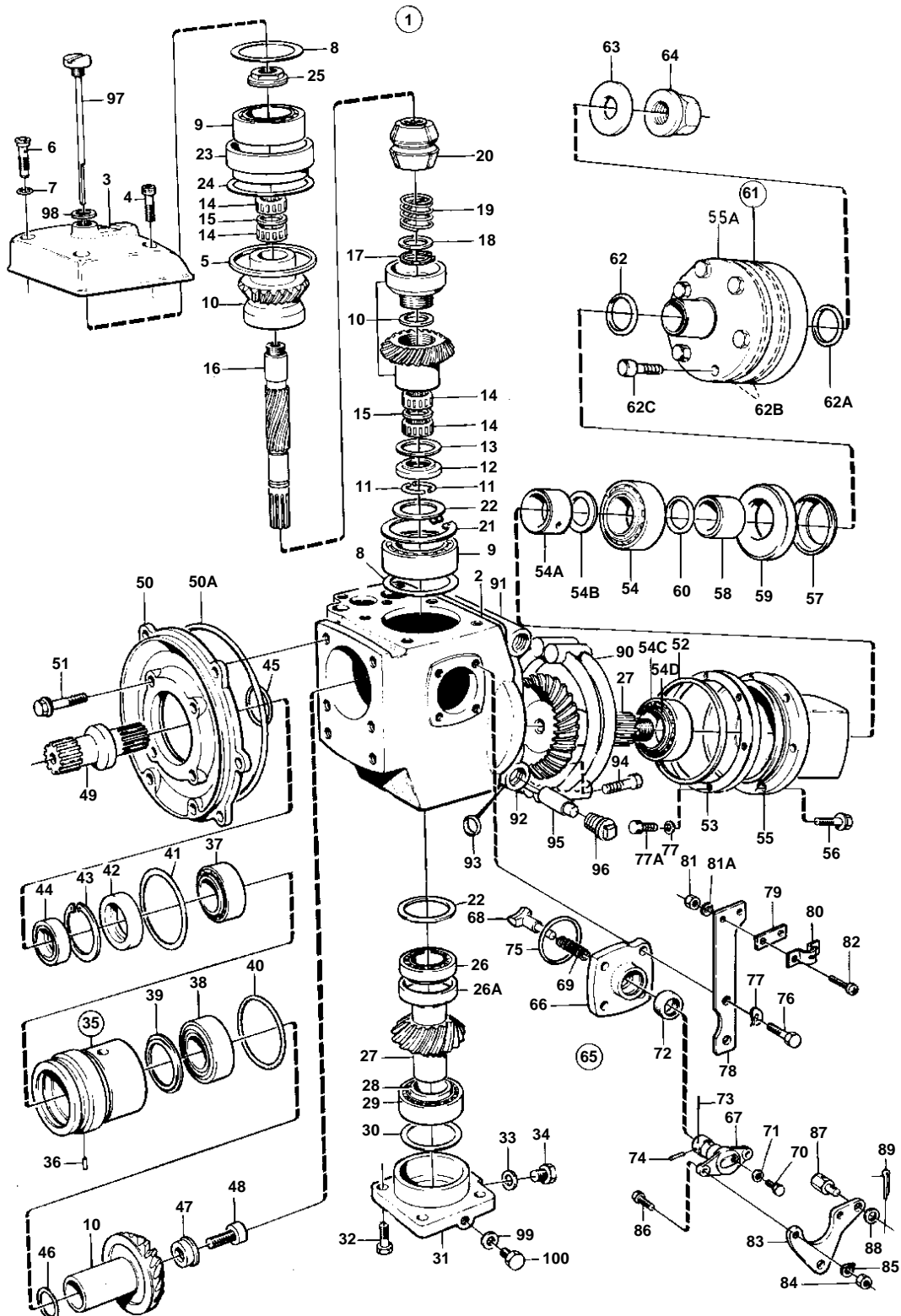


MS3B



6079

MS3B

REF	PART NO.	QTY	DESCRIPTION	SEE SEC.	NOTES
1		1	Reversing gear		RATIO 1,54:1
2	851673	1	• Gear housing		
3	832667	1	• Gear housing cover		
4	956585	3	• Hex. socket screw		
5	832669	1	• Gasket		
6	814643	1	• Hollow screw		
7	955989	1	• O-ring		
8	967352	X	• Shim		TH = 0,05 MM
	943866	X	• Shim		TH = 0.1mm
	943867	X	• Shim		TH = 0.2mm
	943868	X	• Shim		TH = 0.4mm
9	853542	2	• Ball bearing		(183729)
10	839027	1	• Gear set		
11	897312	2	• Lock ring		
12	850422	1	• Spacer ring		
13	852433	1	• Wear washer		(850243)
14	181359	4	• Needle roller assemb		
15		2	• Spacer ring		
16	897385	1	• Shaft		
17	951077	1	• Snap ring		
18	26411	1	• Shim		
19	813970	1	• Spring		
20	852949	1	• Sliding sleeve		(852548)
21	850433	1	• Snap ring		
22	949071	X	• Shim		TH = 0.1mm
	949072	X	• Shim		TH=0,15mm
	949073	X	• Shim		TH = 0.35mm
	949074	X	• Shim		TH = 0.50mm
23	832644	1	• Bearing sleeve		
24	946179	X	• Shim		TH = 0.1mm
	943870	X	• Shim		TH = 0.2mm
25		1	• NUT		
	839332	X	• • Nut		ALT TH = 2,10 MM
	839333	X	• • Nut		ALT TH = 2,37 MM
	839334	X	• • Nut		ALT TH = 2,65 MM
26	181301	1	• Inner ring		
26A	181302	1	• Cup		
27		1	• Drive gear set		
28	181303	1	• Inner ring		
29	181304	1	• Cup		
30	941835	X	• Shim		TH = 0,05 MM
	87655	X	• Shim		TH = 0.1mm
	191840	X	• Shim		TH=0,15mm
	87654	X	• Shim		TH = 0.35mm
31		1	• Bearing cover		
32	946329	4	• Flange screw		
33	957173	1	• Gasket		
34	960628	1	• Plug		
35	875425	1	• Bearing box		
36	951940	1	• • Spring pin		
37	183247	1	• • Roller bearing		
38	183668	1	• • Roller bearing		
39	897772	1	• • Oil deflector		EARLY TYPE
40	925256	1	• O-ring		
41	941826	X	• Shim		TH = 0,05 MM
	941827	X	• Shim		TH = 0.2mm
	948230	X	• Shim		TH = 0.35mm
42	839253	1	• Sealing ring		
43	914538	1	• Snap ring		
44	832675	1	• Washer		
45	956000	1	• O-ring		
46	943871	X	• Shim		TH = 0,05 MM
	943872	X	• Shim		TH = 0.1mm

MS3B

REF	PART NO.	QTY	DESCRIPTION	SEE SEC.	NOTES
46	943873	X	• Shim		TH = 0.2mm
47	839013	1	• Washer		
48		1	• Screw		
49	850275	1	• Stub axle		
50		1	• Intermediate section		
50A	925257	1	• O-ring		
51	965185	6	• Flange screw		
52	925267	1	• O-ring		
53	851496	X	• Adjusting washer		TH = 0.1mm
	851495	X	• Adjusting washer		TH=0,15mm
		X	• Adjusting washer		TH = 0.35mm
54	183668	1	• Roller bearing		
54A		1	• Spacer sleeve		
54B	852184	X	• Shim		TH = 0,05 MM
54	84219	X	• Shim		TH = 0.1mm
	84218	X	• Shim		TH = 0.35mm
54C	183328	1	• Cup		
54D	183327	1	• Inner ring		
55		1	• Bearing housing		
56	946671	6	• Flange screw		
57	944530	1	• Sealing ring		
58	851679	1	• Spacer sleeve		
59	853757	1	• Sealing ring		(959026)
60	925063	1	• O-ring		
61		1	• Slip clutch		
62	925069	1	• • O-ring		
62A	925092	1	• • O-ring		
62B	925263	2	• • O-ring		
62C	955299	8	• • Hexagon screw		
63	850471	1	• Washer		
64	947855	1	• Flange lock nut		
65	839504	1	• Shift mechanism		
66	839505	1	• • Bearing housing		
67	897816	1	• • Eccentric piston		
			Bulletin P-44-1-7	P-44-1-7-EN	Shift mechanism, eccentric piston
68	814603	1	• • Dog		
69	814184	1	• • Spring		
70	897711	1	• • Screw		
71	897871	X	• • Shim		TH = 0.2mm
72	958838	1	• • Sealing ring		
73	951924	1	• • Spring pin		
74	942871	1	• • Clevis pin		
75	925093	1	• • O-ring		
76	955273	4	• Hexagon screw		
77	941906	8	• Spring washer		
77A	942000	2	• Hex. socket screw		
78		1	• Cable attachment		
79	819068	1	• Washer		
80	21471054	1	• Bracket		
81	946577	2	• Lock nut		
81A	940090	2	• Washer		
82	955246	2	• Hexagon screw		
83	834021	1	• Lever		
84	955781	2	• Hexagon nut		
85	955948	2	• Toothed washer		
86	955270	2	• Hexagon screw		
87	804312	1	• Cube		
88	955892	1	• Washer		
89	907834	1	• Split pin		(17276)
90		2	• Oil cooler		
91		1	• Connection pipe		
92		1	• End plate		
93	960169	4	• O-ring		

MS3B

REF	PART NO.	QTY	DESCRIPTION	SEE SEC.	NOTES
94	959207	4	• Hex. socket screw		
95	838929	2	• Electrode		
96	838928	2	• Plug		
97	839351	1	• Oil dipstick		
98	897682	1	• Gasket		
99	955974	1	• O-ring		
100	814179	1	• Plug		
	875628	1	Gasket kit		SEE GROUP 10A