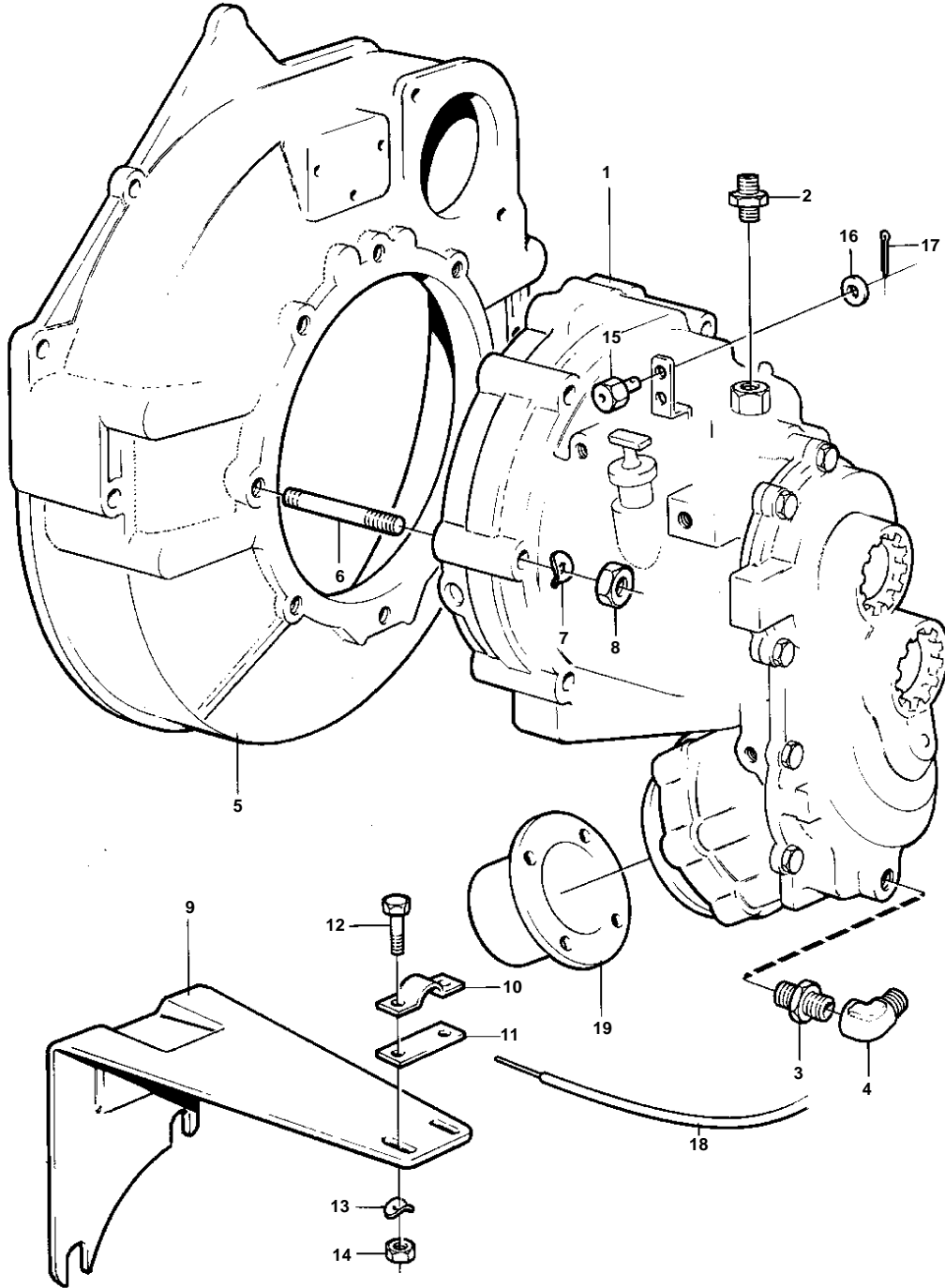


BB225AV



5548

BB225AV

REF	PART NO.	QTY	DESCRIPTION	NOTES
1		1	Angle gear	
		1		RATIO 1,99:1
		1		RATIO 3,14:1
		1		OPPOSITE REVOLUTION IN RELATION TO ENGINE., RATIO 1,53:1
		1		OPPOSITE REVOLUTION IN RELATION TO ENGINE., RATIO 1,98:1
		1		OPPOSITE REVOLUTION IN RELATION TO ENGINE., RATIO 3,1:1
			· COMPONENTS	
2	804533	1	Nipple	SEE GROUP 2B
3	941750	1	Nipple	SEE GROUP 2B
4	941757	1	Elbow nipple	SEE GROUP 2B
5	841056	1	Flywheel housing	SEE GROUP 2A
6		6	Stud	
7	941909	6	Spring washer	
8	940157	6	Hexagon nut	
9		1	Bracket	
10	21471054	1	Bracket	
11	819068	1	Washer	
12	955246	2	Hexagon screw	
13	940090	2	Washer	
14	946577	2	Lock nut	
15	833133	1	Cube	
16	955892	1	Washer	
17	907834	1	Split pin	
18		X	CONTROL CABLE	SEE GROUP 9
19		X	PROPELLER SHAFT FLANGE	SEE GROUP 9