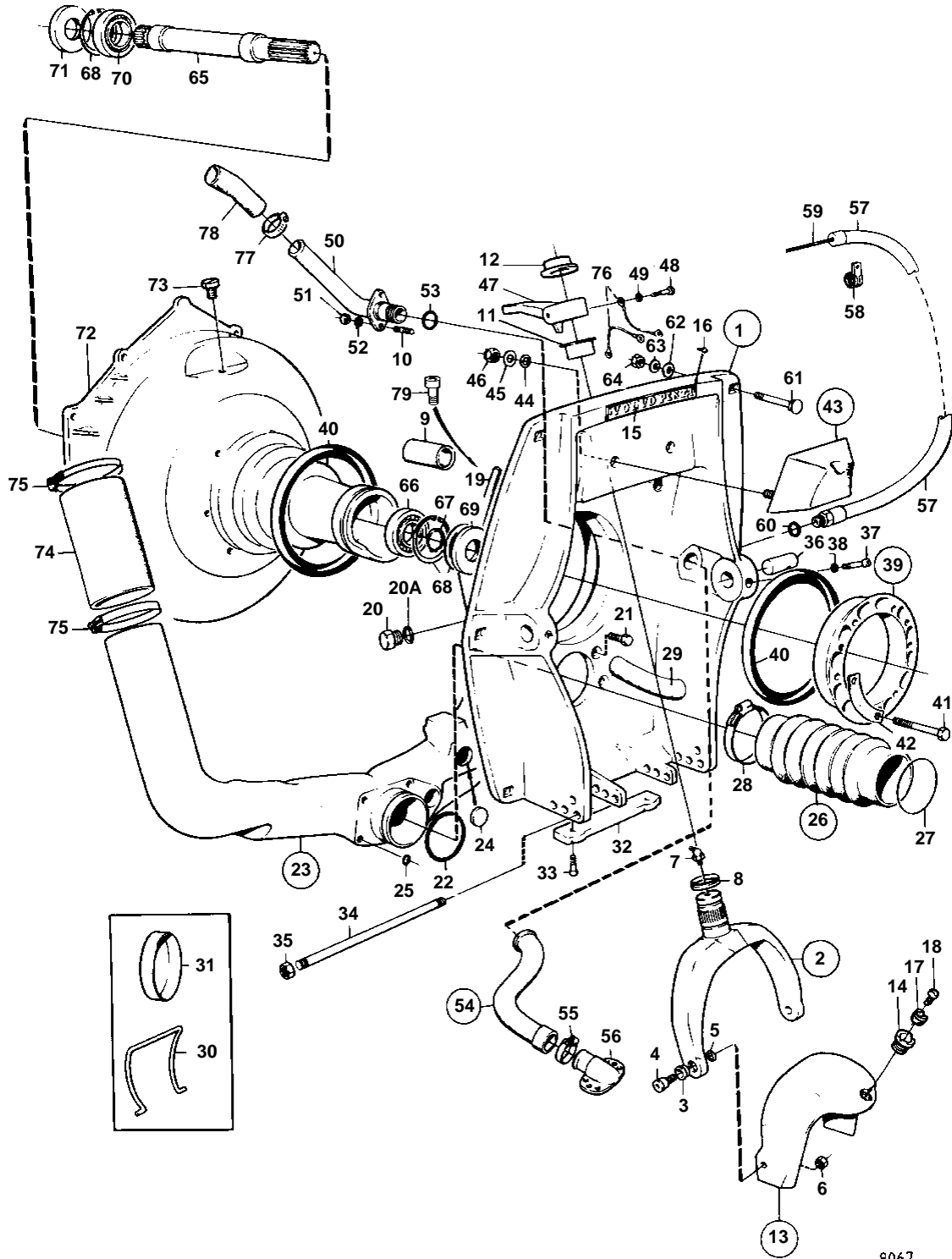


AQ225E



8067

AQ225E

REF	QTY	DESCRIPTION	NOTES
59	X	CONTROL CABLE	SEE GROUP 9