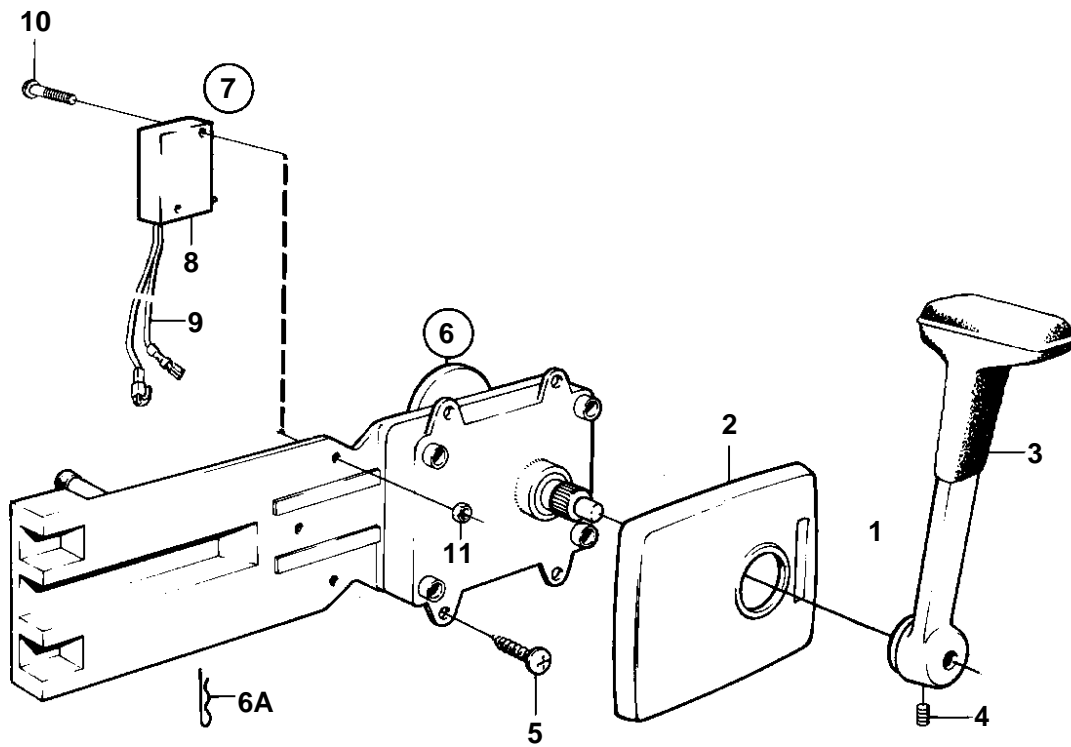


AQ225D, AQ225E, AQ225F, BB225A, BB225B, BB225C



7224

AQ225D, AQ225E, AQ225F, BB225A, BB225B, BB225C

REF	PART NO.	QTY	DESCRIPTION	NOTES
1	839515	2	Mounting kit	REPL BY 851604
2	839518	2	· Cover	
3	839520	2	· Hand lever	
4		2	· Lock screw	M5
	839693	2	· Lock screw	M8
5	955142	8	· Cross recessed screw	
6	839469	2	Control	REPL BY 851601
7	841165	1	Switch	MAIN STATION.
	841166	1	Switch	SECOND STATION.
8	850200	2	· Toggle switch	
9		X	· · CABLES AND TERMINALS	SEE GROUP 3
10	946177	4	· Cross recessed screw	
11	947536	4	· Hexagon nut	