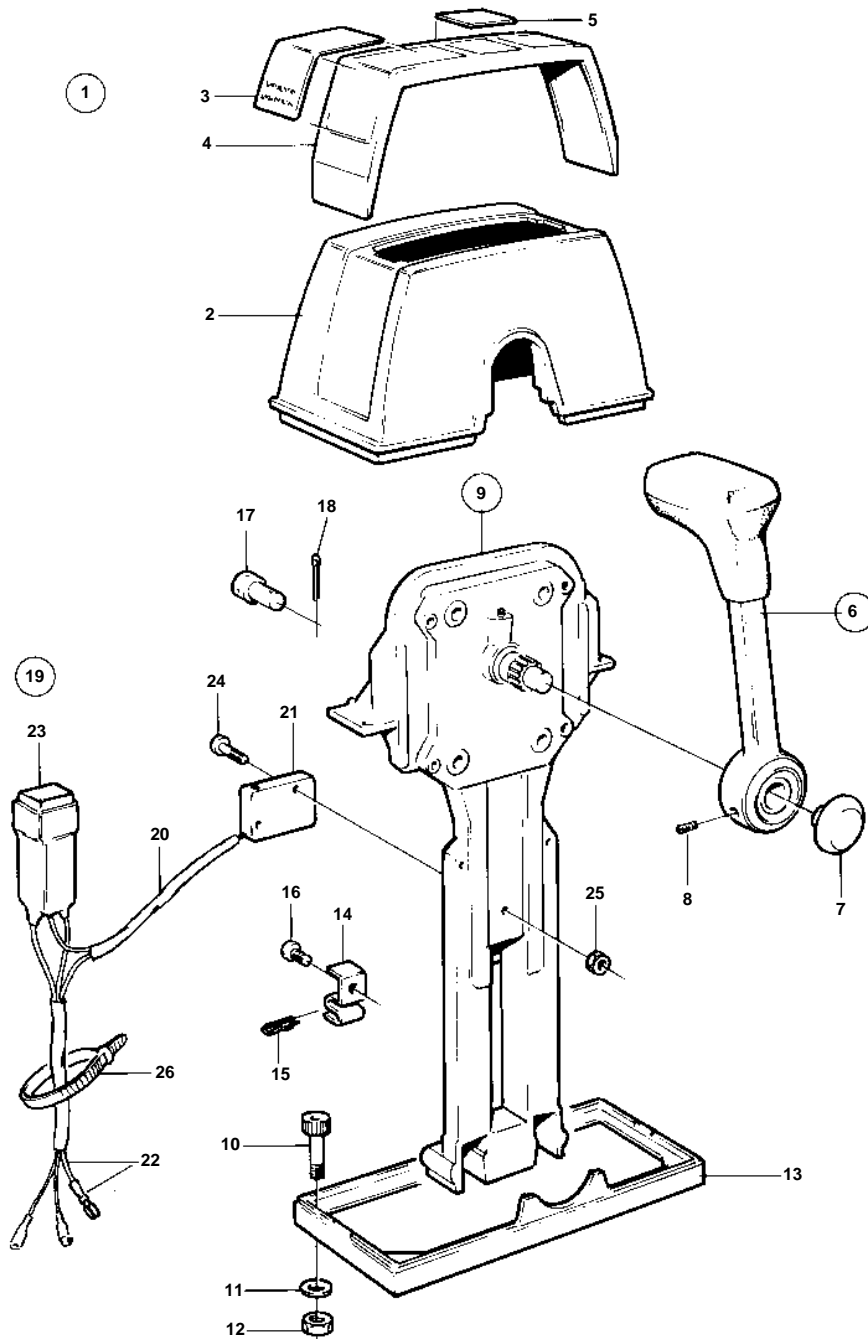


AQ225D, AQ225E, AQ225F, BB225A, BB225B, BB225C



7470

AQ225D, AQ225E, AQ225F, BB225A, BB225B, BB225C

REF	PART NO.	QTY	DESCRIPTION	NOTES
1	853169	1	Mounting kit	TWIN
2		1	· Cover	
3	851895	2	· Decal	
4		1	· Crossbar	
5	851897	1	· Decal	
6	852347	2	· Hand lever	
7	853004	2	· Push button	
8	963678	2	· Hex. socket screw	
9	851600	2	· Control	
10	947671	4	· Hex. socket screw	
11	960138	4	· Washer	
12	955780	4	· Hexagon nut	
13	839479	1	· Plate	
14	853423	2	· Retainer	
15	852924	2	· Clip	
16	839664	2	Screw	
17	839638	2	Cube	
18	17253	2	Split pin	
19	839641	2	Neutral position con	
20		2	· Cable kit	
21	850200	2	· · Toggle switch	
22		X	· · CABLES AND TERMINALS	
23	1501832	2	· Relay	
24	946177	4	· Cross recessed screw	
25	947536	4	· Hexagon nut	
26	948210	X	· Cable tie	