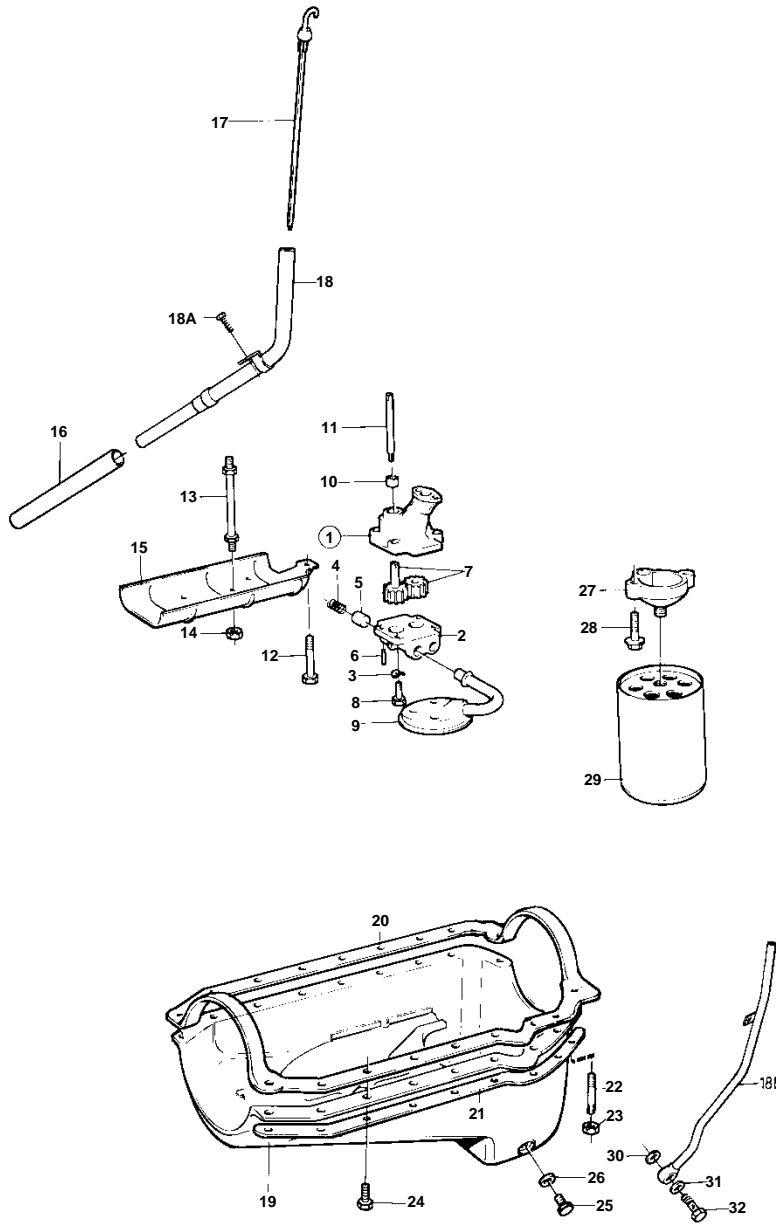


AQ225F



8068

AQ225F

| REF | PART NO. | QTY | DESCRIPTION | SEE SEC. | NOTES |
|-----|----------|-----|-------------------|-------------|-----------------------------|
| 1 | 835371 | 1 | Oil pump | | |
| 2 | | 1 | • Cover | | |
| 3 | 941906 | 4 | • Spring washer | | |
| 4 | | 1 | • Spring | | |
| 5 | 835376 | 1 | • Spring | | |
| 6 | | 1 | • Spring catch | | |
| 7 | | 2 | • GEAR | | |
| 8 | 955513 | 4 | • Hexagon screw | | |
| 9 | 835372 | 1 | Oil strainer | | |
| 10 | 835374 | 1 | Sleeve | | |
| 11 | 835373 | 1 | Shaft | | |
| 12 | 835082 | 1 | Screw | | |
| 13 | 835038 | 5 | Stud | 17173 | |
| 14 | 835368 | 5 | Nut | | |
| 15 | | 1 | Partition wall | | |
| 16 | | | | | |
| 17 | 835414 | 1 | Oil dipstick | | |
| 18 | 841544 | 1 | Tube | | |
| 18A | 955512 | 1 | Hexagon screw | | |
| 19 | 855826 | 1 | Sump | | |
| 20 | 855819 | 1 | Gasket | | |
| 21 | 855817 | 1 | Reinforcing plate | | RIGHT SIDE |
| | 855818 | 1 | Reinforcing plate | | LEFT SIDE |
| 22 | 855808 | 8 | Stud | | |
| 23 | 855596 | 8 | Nut | | |
| 24 | 855821 | 14 | Screw | | |
| 25 | 841215 | 1 | Plug | | |
| 26 | 841952 | 1 | Gasket | | (818688) |
| 27 | 835423 | 1 | Anchorage | | |
| 28 | | 2 | Screw | | |
| 29 | 835440 | 1 | Oil filter | | |
| | | | Bulletin P-21-7-1 | P-21-7-1-EN | Oil Filters, GM gas engines |
| 30 | | | Gasket | | EXCL AQ225F |
| 31 | | | Gasket | | EXCL AQ225F |
| 32 | | | HOLLOW SCREW | | EXCL AQ225F |