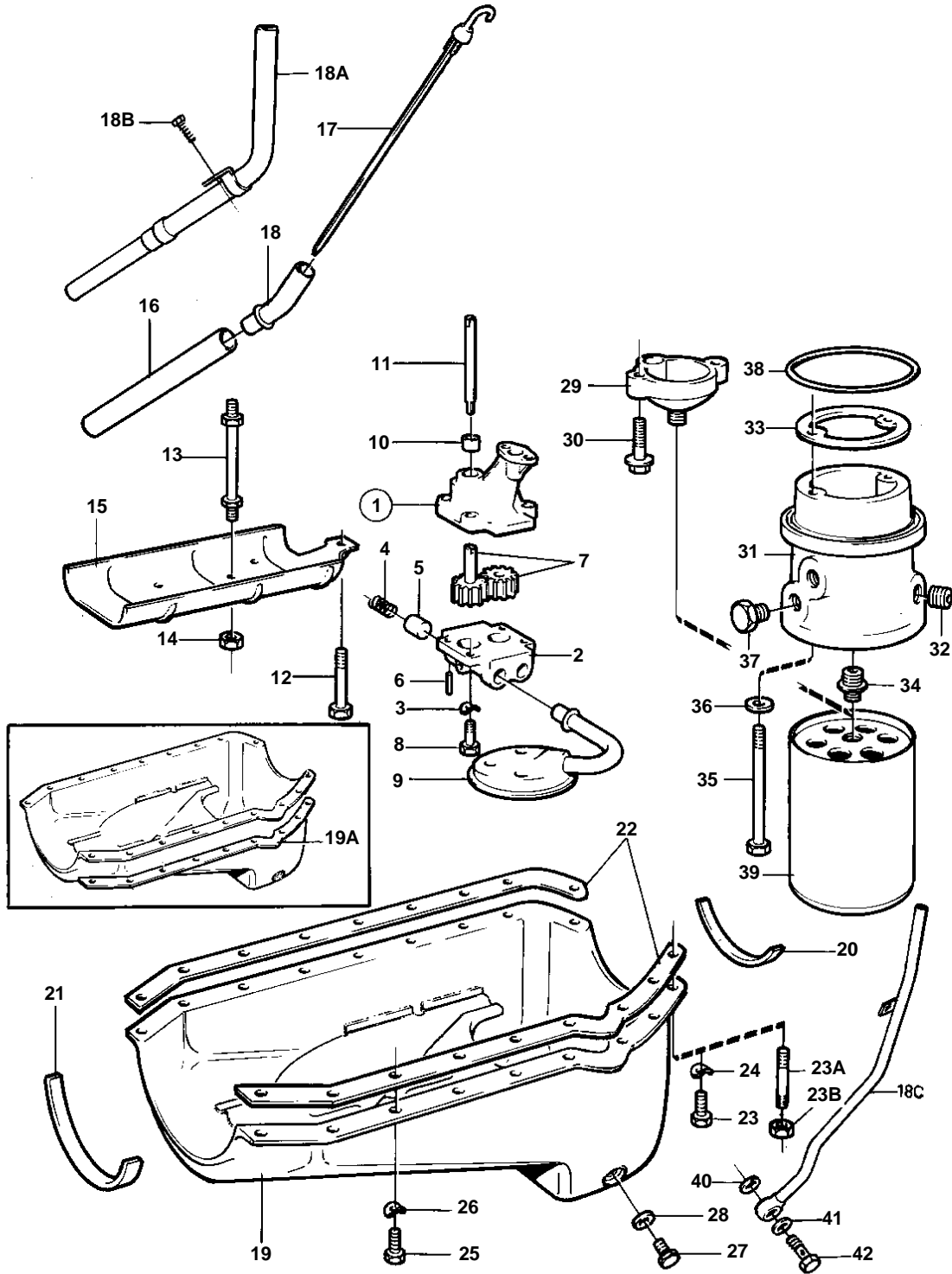


AQ225D



7905

## AQ225D

REF	PART NO.	QTY	DESCRIPTION	SEE SEC.	NOTES
1	835371	1	Oil pump		
2		1	• Cover		
3	941906	4	• Spring washer		
4		1	• Spring		
5	835376	1	• Spring		
6		1	• Spring catch		
7		2	• GEAR		
8	955513	4	• Hexagon screw		
9	835372	1	Oil strainer		
10	835374	1	Sleeve		
11	835373	1	Shaft		
12	955550	1	Hexagon screw		
13	835038	5	Stud	17171	
14	835368	5	Nut		
15		1	Partition wall		AQ225D MO-15652, AQ260A MO-15153.
	841734	1	Baffle plate		AQ225D MO15653-, AQ260A MO15154-, AQ290A MO16525-.
16					
17	835414	1	Oil dipstick		
18	826492	1	Tube		MO-15652
18A	841544	1	Tube		MO15653-
18B	955512	1	Hexagon screw		AQ200D MO16291-, AQ225D MO15653-, AQ260A MO15154-, AQ290A MO16525-.
19	841719	1	Sump		MO16291-
	834773	1	Sump		AQ225D MO-15652, AQ260A MO-15153.
	841677	1	Sump		AQ225D MO15653-, AQ260A MO15154-, AQ290A MO16525-.
	855719	1	Sump		MO45484-
19A	855817	1	Reinforcing plate		RIGHT SIDE
19	855818	1	Reinforcing plate		LEFT SIDE
20	835411	1	• Seal		
21	834774	1	• Seal		
22	855729	1	• Gasket		AQ200D MO-16290, AQ225D MO-15652, AQ260A MO-15153.
	841721	1	Gasket kit		AQ200D MO16291-, AQ225D MO15653-, AQ260A MO15154-, AQ290A MO16525-.
23	955523	4	Hexagon screw		EARLY TYPE
23A	855595	4	Stud		LATE TYPE
23B	855596	4	Nut		LATE TYPE
24	941907	4	Spring washer		EARLY TYPE
25	841426	14	Screw		
26	941906	14	Spring washer		
27	841215	1	Plug		
28	841952	1	Gasket		(818688)
29	835423	1	Anchorage		
30		2	Screw		
31			OIL FILTER HOUSING		EXCL AQ225D
32			PLUG		EXCL AQ225D
33			Gasket		EXCL AQ225D
34			SCREW UNION		EXCL AQ225D
35			BOLT		EXCL AQ225D
36			WASHER		EXCL AQ225D
37			SCREW UNION		EXCL AQ225D
38			SEAL RING		EXCL AQ225D
39	835440	1	Oil filter		
			Bulletin P-21-7-1	P-21-7-1-EN	Oil Filters, GM gas engines
40			Gasket		EXCL AQ225D
41			Gasket		EXCL AQ225D
42			HOLLOW SCREW		EXCL AQ225D