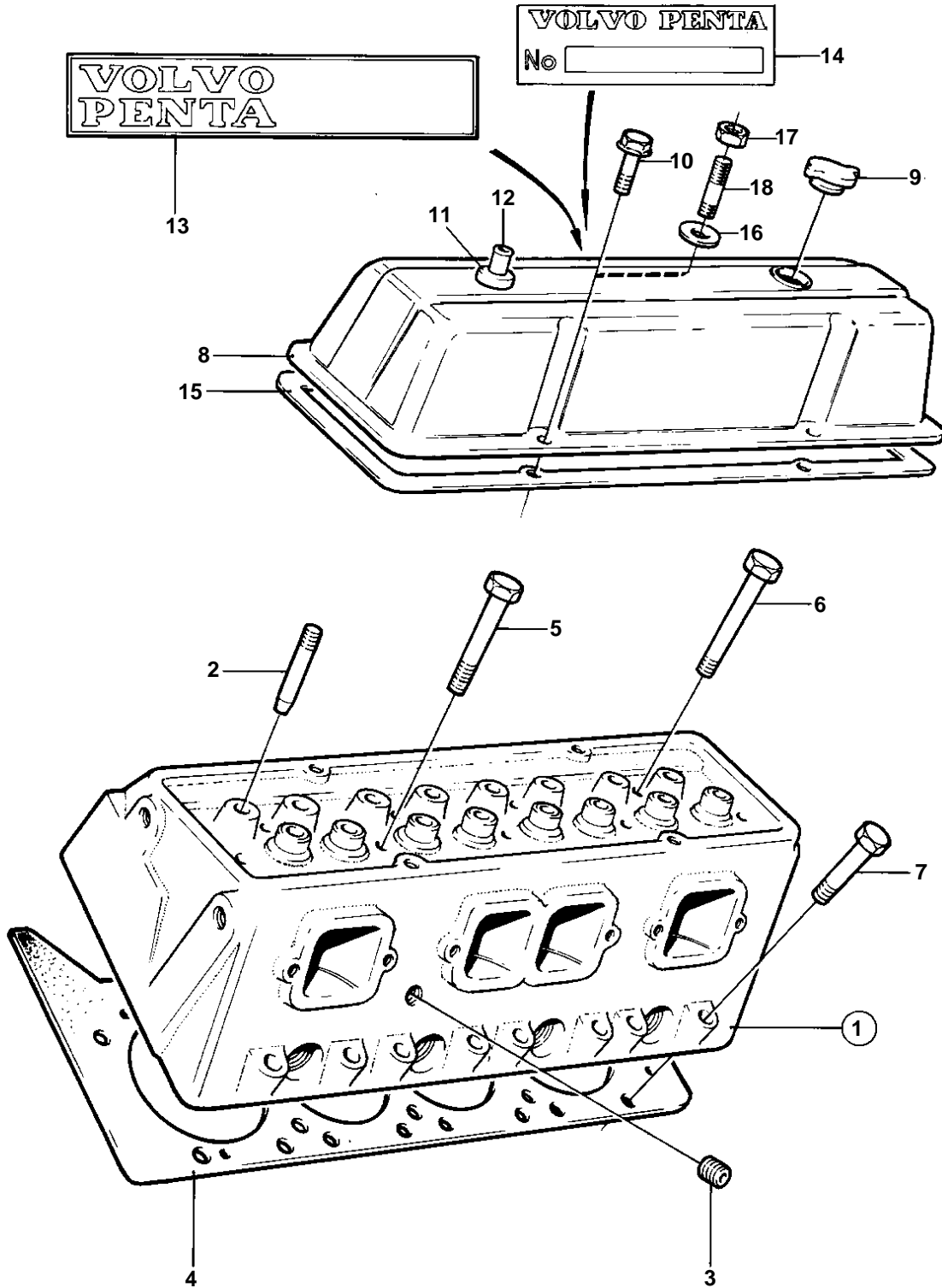


AQ225D



AQ225D

| REF | PART NO. | QTY | DESCRIPTION | SEE SEC. | NOTES |
|-----|----------|-----|---------------------|----------|---|
| 1 | | 2 | Cylinder head | | MO-15652 |
| | | 2 | Cylinder head | | REPLACED BY 1EA CYLINDER HEAD 841869, 4EA INLET VALVES 841860, 4EA EXHAUST VALVES 835541 AND 0,25PC SEAL KIT 855564., MO15653-19205 |
| | | 2 | Cylinder head | | MO19206- |
| 2 | 835108 | 16 | · Stud | 17182 | |
| 3 | 952358 | 2 | Plug | | AQ200D MO-19205., AQ260A MO-19205, AQ290A MO-19205., AQ225D MO-19205 AND MO20074-20183. |
| | 968145 | 2 | Plug | | AQ200D MO19206-, AQ260A MO19206-, AQ290A MO19206-., AQ225D MO19206-EXCEPT MO20074-20183. |
| 4 | 841207 | 2 | Gasket | | |
| 5 | 835077 | 14 | Screw | | |
| 6 | 835079 | 4 | Screw | | |
| 7 | 835078 | 16 | Screw | | |
| 8 | | 2 | Valve cover | | |
| 9 | 818620 | 2 | Filler cap | | |
| 10 | 841426 | 8 | Screw | | |
| 11 | 835415 | 2 | Rubber bushing | | SEE GROUP 2C |
| 12 | 841546 | 2 | Hose attachment | | SEE GROUP 2C |
| 13 | 826425 | 2 | Decal | | |
| 14 | | 1 | ENGINE NUMBER DECAL | | |
| | 841261 | X | Sealant | | SEE GROUP 9, EARLY TYPE |
| 15 | 855590 | 2 | Gasket | | LATE TYPE |
| 16 | 855593 | 4 | Washer | | LATE TYPE |
| 17 | | 8 | Flange nut | | LATE TYPE |
| 18 | | 8 | Stud | | LATE TYPE |