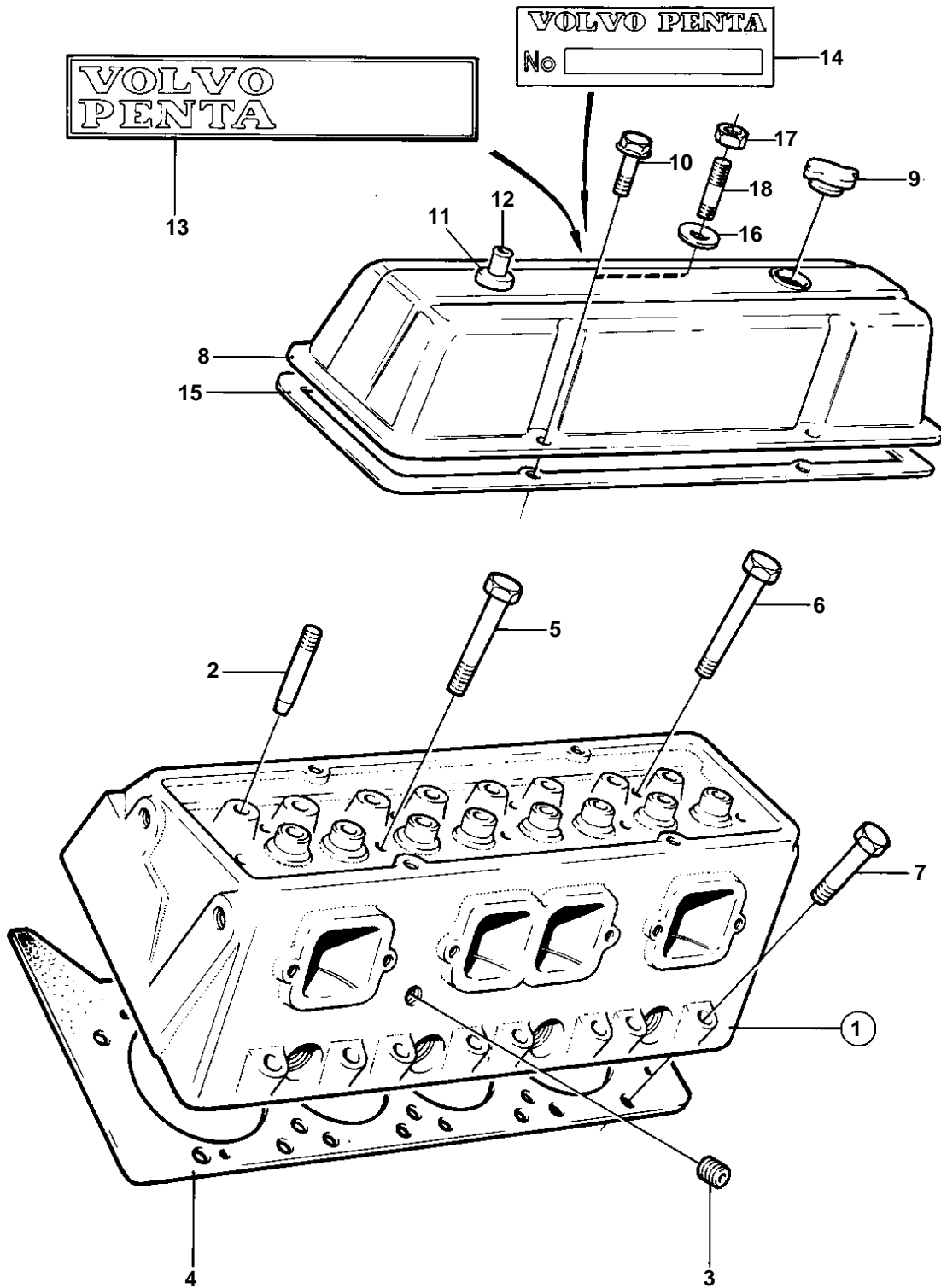


AQ225D



AQ225D

REF	PART NO.	QTY	DESCRIPTION	SEE SEC.	NOTES
1		2	Cylinder head		MO-15652
		2	Cylinder head		REPLACED BY 1EA CYLINDER HEAD 841869, 4EA INLET VALVES 841860, 4EA EXHAUST VALVES 835541 AND 0,25PC SEAL KIT 855564., MO15653-19205
		2	Cylinder head		MO19206-
2	835108	16	· Stud	17182	
3	952358	2	Plug		AQ200D MO-19205., AQ260A MO-19205, AQ290A MO-19205., AQ225D MO-19205 AND MO20074-20183.
	968145	2	Plug		AQ200D MO19206-, AQ260A MO19206-, AQ290A MO19206-., AQ225D MO19206-EXCEPT MO20074-20183.
4	841207	2	Gasket		
5	835077	14	Screw		
6	835079	4	Screw		
7	835078	16	Screw		
8		2	Valve cover		
9	818620	2	Filler cap		
10	841426	8	Screw		
11	835415	2	Rubber bushing		SEE GROUP 2C
12	841546	2	Hose attachment		SEE GROUP 2C
13	826425	2	Decal		
14		1	ENGINE NUMBER DECAL		
	841261	X	Sealant		SEE GROUP 9, EARLY TYPE
15	855590	2	Gasket		LATE TYPE
16	855593	4	Washer		LATE TYPE
17		8	Flange nut		LATE TYPE
18		8	Stud		LATE TYPE