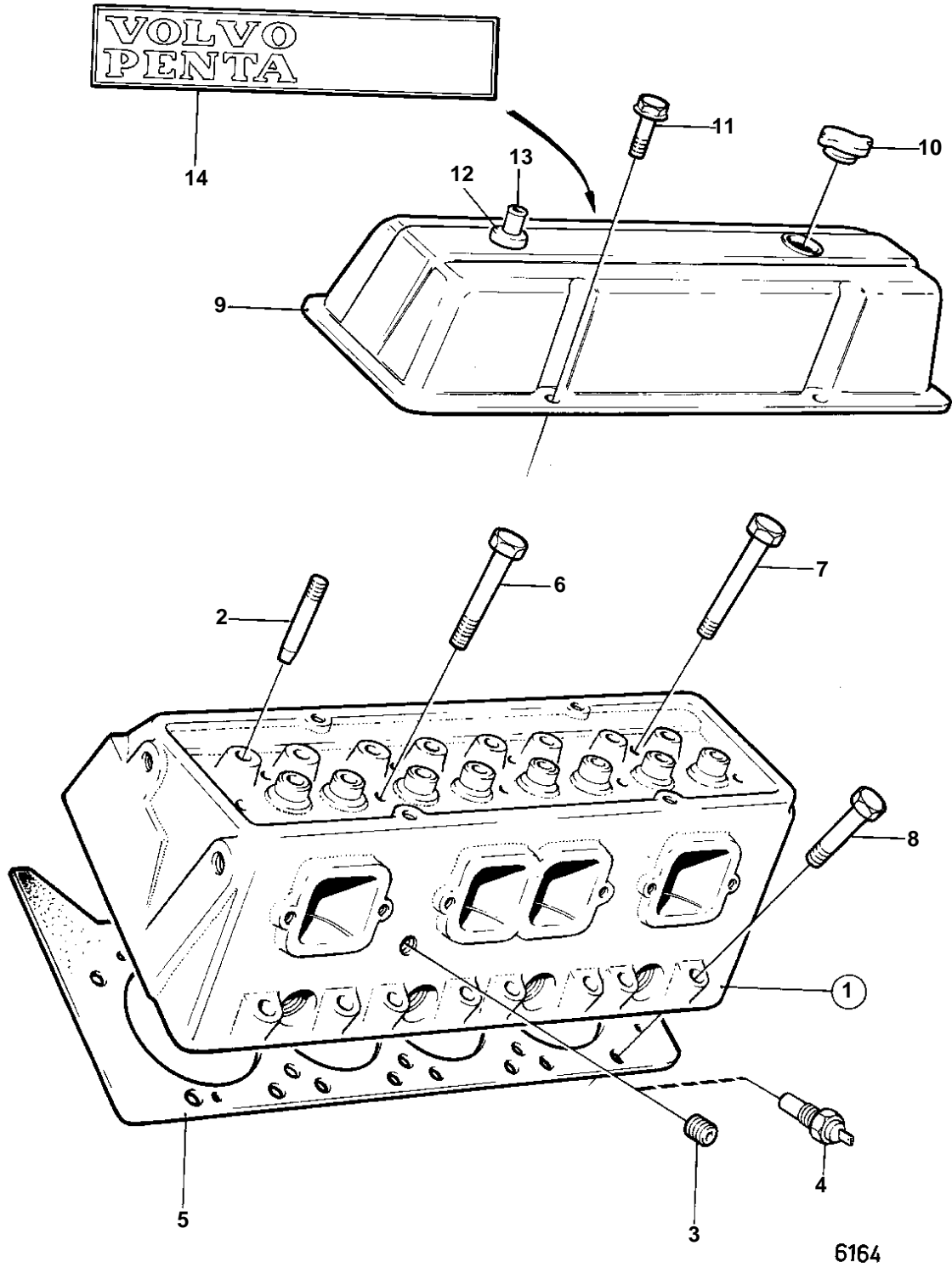


BB225A



## BB225A

| REF | PART NO. | QTY | DESCRIPTION     | SEE SEC. | NOTES  |
|-----|----------|-----|-----------------|----------|--|
| 1   |          | 2   | Cylinder head   |          | MO-15652   |
|     |          | 2   | Cylinder head   |          | REPLACED BY 1EA CYLINDER HEAD 841869, 4EA INLET VALVES 841860, 4EA EXHAUST VALVES 835541 AND 0,25PC SEAL KIT 855564., MO15653- |
| 2   | 835108   | 16  | • Stud          | 17185    |  |
| 3   | 952358   | 1   | Plug            |          |  |
| 4   |          | 1   | Thermo monitor  |          |  |
| 5   | 841207   | 2   | Gasket          |          |  |
| 6   | 835077   | 14  | Screw           |          |  |
| 7   | 835079   | 4   | Screw           |          |  |
| 8   | 835078   | 16  | Screw           |          |  |
| 9   |          | 2   | Valve cover     |          | (841212)   |
| 10  | 818620   | 2   | Filler cap      |          |  |
| 11  | 841426   | 8   | Screw           |          |  |
| 12  | 835415   | 2   | Rubber bushing  |          | SEE GROUP 2C   |
| 13  | 841546   | 2   | Hose attachment |          | SEE GROUP 2C   |
| 14  |          | 2   | Decal           |          |  |
|     |          | 2   | Decal           |          | FOR ENGINE WITH OPPOSITE ROTATION.   |
|     | 841261   | X   | Sealant         |          | SEE GROUP 9  |