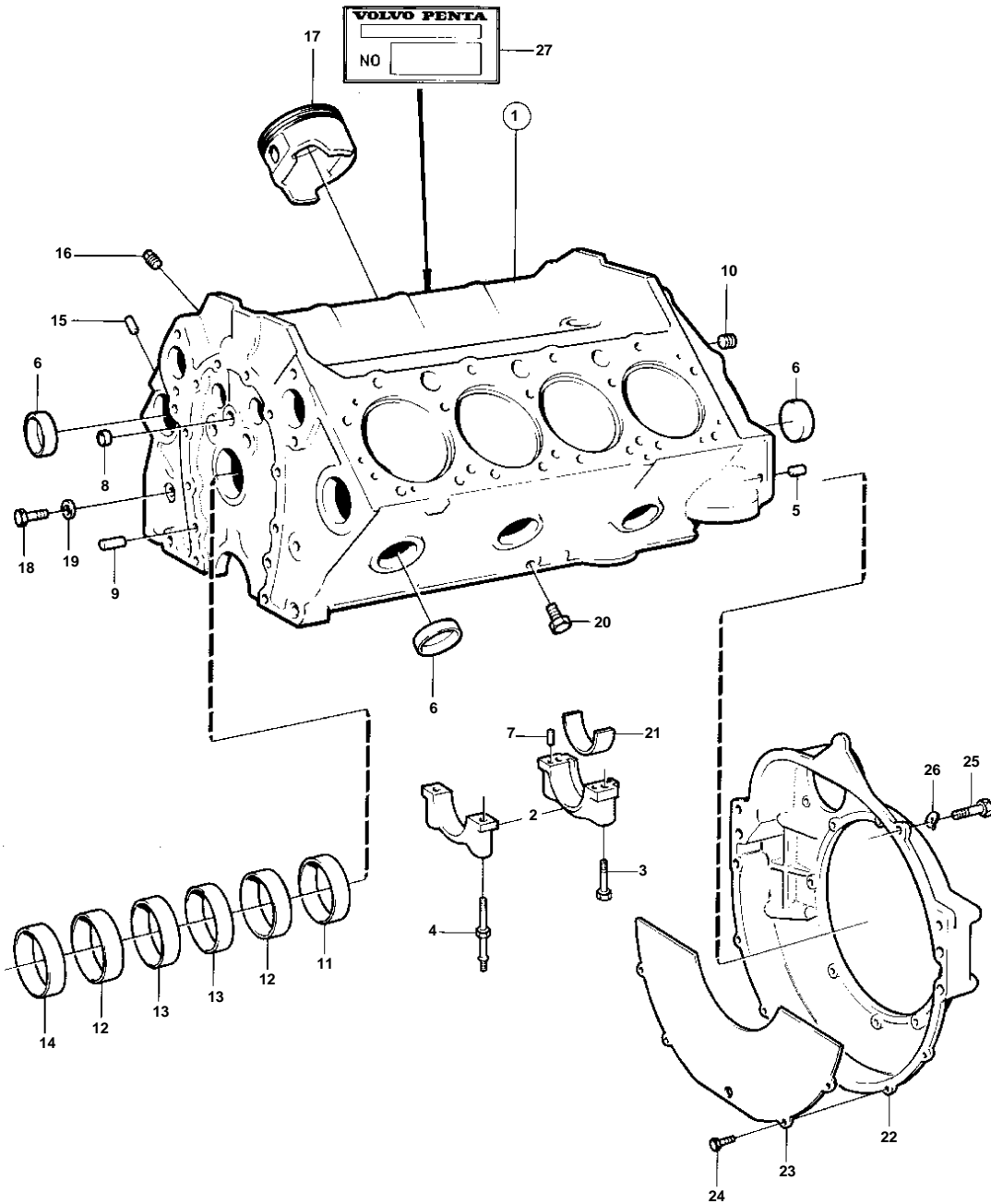


BB225C



6218

BB225C

REF	PART NO.	QTY	DESCRIPTION	SEE SEC.	NOTES
1		1	Cylinder block		MO57028-
2		5	· BEARING CAP		
3	835037	5	· Screw		
4	835038	5	· Stud	17196	
5		2	· Locating pin		
6	835039	8	· Plug		
7	835040	2	· Locating pin		
9	835040	2	· Locating pin		
10	952075	5	· Plug		
11	835496	1	· Plug		
12	841423	2	· Bushing		
13	841424	2	· Bushing		
14	841422	1	· Bearing		
15	835497	4	· Locating pin		
16	191026	1	· Plug		(952069)
17		8	· PISTON	17181	
18	940133	1	· Hexagon screw		
19	18651	1	· Gasket		
20	192134	2	· Plug		
21		X	· MAIN BEARING KIT	17181	
22	841056	1	Flywheel housing		
23	855909	1	Cover plate		(841382)
24	947224	4	Hexagon screw		
25	955541	2	Hexagon screw		L = 76 MM
	955535	3	Hexagon screw		L = 32 MM
26	942336	5	Spring washer		
27		1	ENGINE NUMBER PLATE		