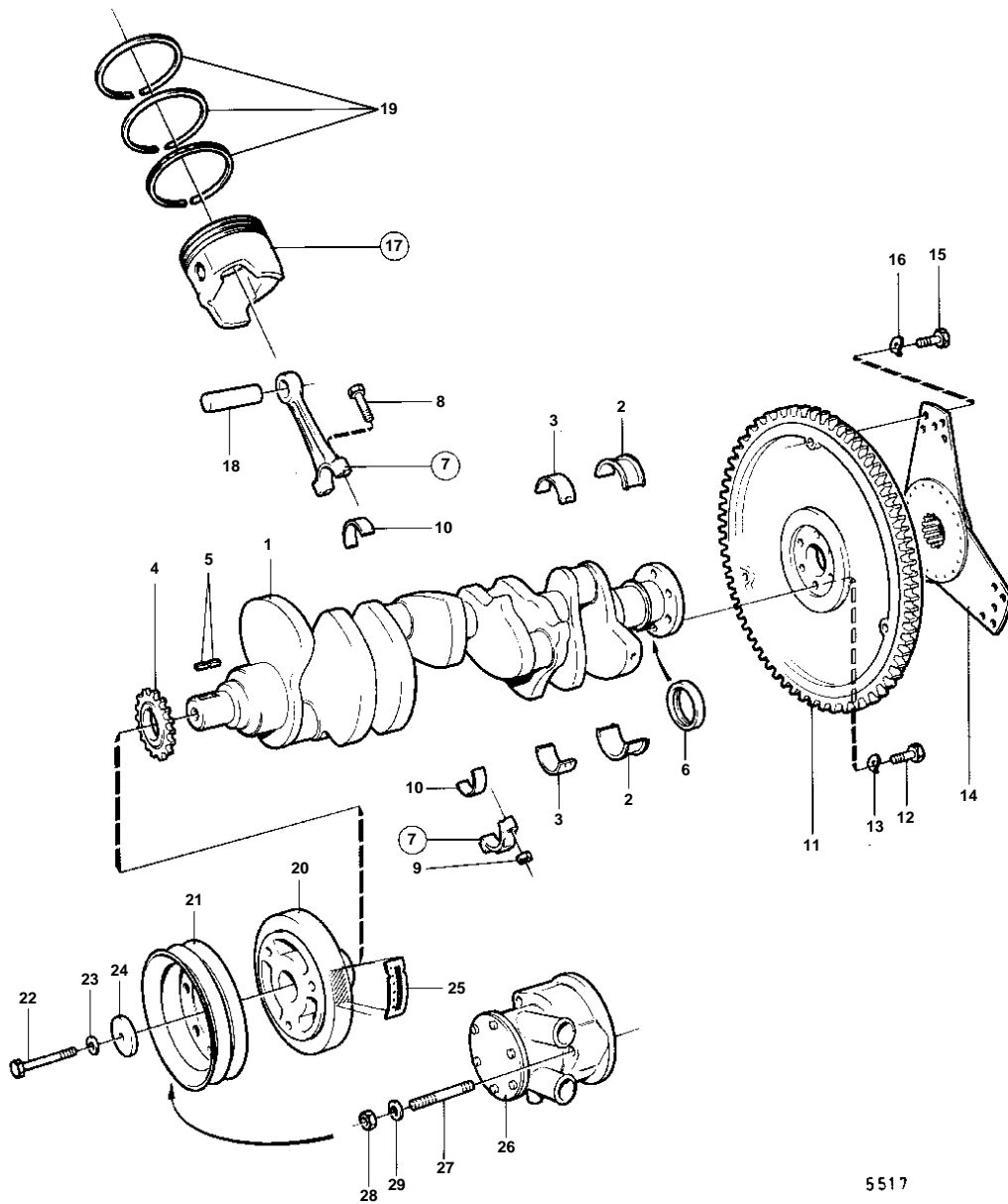


BB225A



BB225A

REF	PART NO.	QTY	DESCRIPTION	SEE SEC.	NOTES
1		1	Crankshaft		
		1	Crankshaft		FOR ENGINE WITH OPPOSITE ROTATION.
2	835052	1	Main bearing		STD
	835055	1	Main bearing		UNDER SIZE 0,010"
	835065	1	Thrust bearing		UNDER SIZE 0,020"
3	835051	3	Main bearing		STD
	835053	4	Main bearing		UNDER SIZE 0,010"
	835054	4	Main bearing		UNDER SIZE 0,020"
	841254	1	Main bearing		FRONT MAIN BEARING., STD UPPER
	841255	1	Main bearing		FRONT MAIN BEARING., STD LOWER
4	835544	1	Sprocket	17185	
		1	Gear, SPROCKET		FOR ENGINE WITH OPPOSITE ROTATION.
				17185	
5	835059	2	Key		
6	841240	1	Crankshaft seal		INCL.IN CYLINDERBLOCK.
		2	Sealing		INCL.IN CYLINDERBLOCK., FOR ENGINE WITH OPPOSITE ROTATION.
7	841867	8	Connecting rod		(835064) MO-19205
8		16	· Hex. socket screw		
9	835473	16	· Nut		
10	835273	8	Bearing shell		STD
		8	Main bearing		FOR ENGINE WITH OPPOSITE ROTATION., STD
	835396	8	Bearing		UNDER SIZE 0,010"
	835396	8	Bearing		FOR ENGINE WITH OPPOSITE ROTATION., UNDER SIZE 0,010"
	835070	8	Bearing		UNDER SIZE 0,020"
	835070	8	Bearing		FOR ENGINE WITH OPPOSITE ROTATION., UNDER SIZE 0,020"
11		1	Flywheel		
12	835439	6	Screw		
13	941909	6	Spring washer		
14	855656	1	Oscillation damper		(841375)
15	835482	3	Screw		
16	942336	3	Spring washer		
17	826465	8	Piston		STD
	826466	8	Piston		OVER SIZE 0,030"
18		8	· GUDGEON PIN		
19	826469	8	Piston ring kit		INCL.IN CYLINDERBLOCK., STD
	826470	8	Piston ring kit		OVER SIZE 0,030"
20	826477	1	Vibration damper		
21	835407	1	Pulley		
22	949518	1	Hexagon screw		
23	941909	1	Spring washer		
24	835409	1	Washer		
25	834842	1	Decal		
		1	Decal		FOR ENGINE WITH OPPOSITE ROTATION.
26		1	SEA WATER PUMP		SEE GROUP 2B
27	826500	3	Stud		
28		3	Lock nut		
29	941907	3	Spring washer		