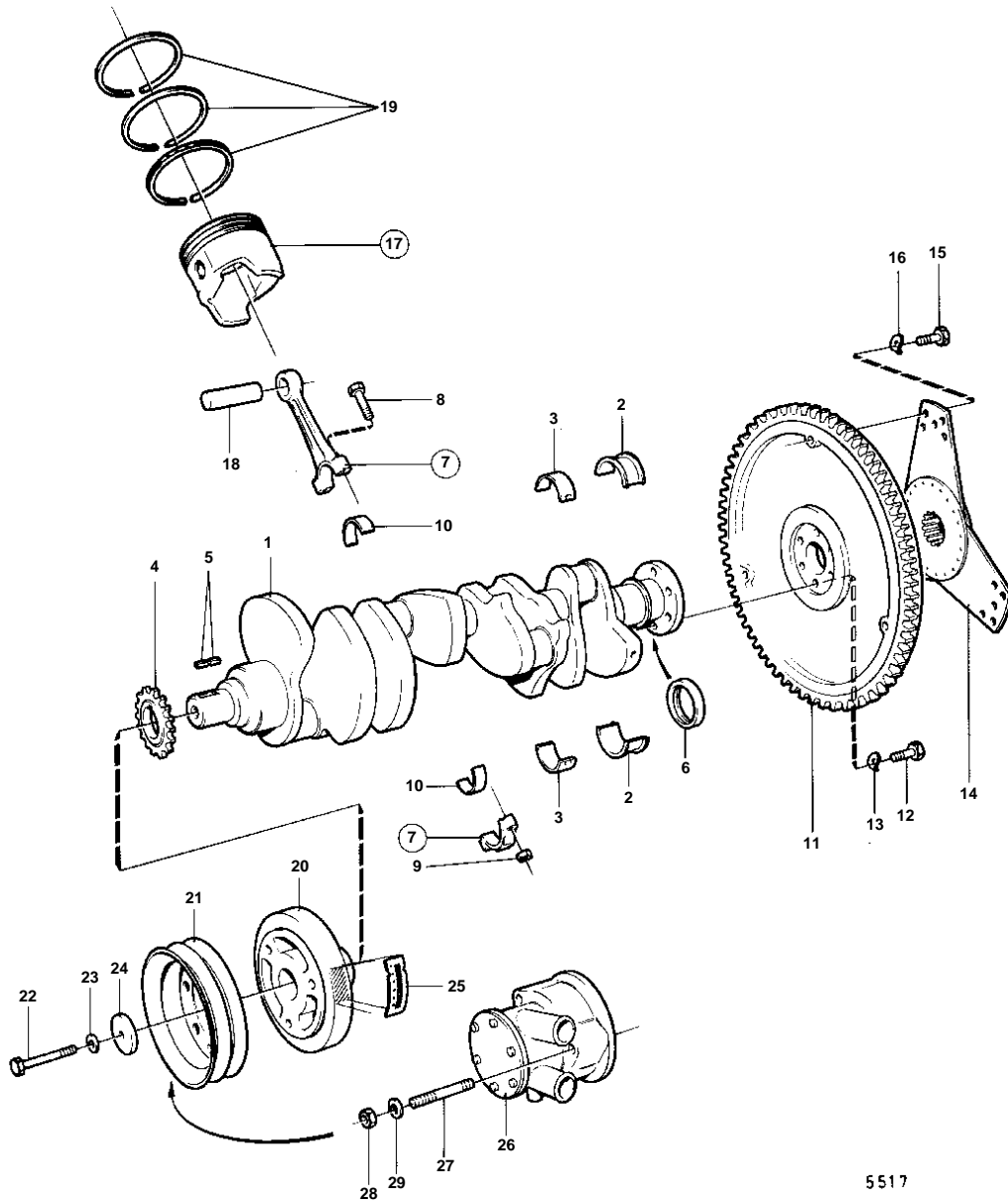


BB225A



5517

BB225A

| REF | PART NO. | QTY | DESCRIPTION | SEE SEC. | NOTES |
|-----|----------|-----|---------------------|----------|--|
| 1 | | 1 | Crankshaft | | |
| | | 1 | Crankshaft | | FOR ENGINE WITH OPPOSITE ROTATION. |
| 2 | 835052 | 1 | Main bearing | | STD |
| | 835055 | 1 | Main bearing | | UNDER SIZE 0,010" |
| | 835065 | 1 | Thrust bearing | | UNDER SIZE 0,020" |
| 3 | 835051 | 3 | Main bearing | | STD |
| | 835053 | 4 | Main bearing | | UNDER SIZE 0,010" |
| | 835054 | 4 | Main bearing | | UNDER SIZE 0,020" |
| | 841254 | 1 | Main bearing | | FRONT MAIN BEARING., STD UPPER |
| | 841255 | 1 | Main bearing | | FRONT MAIN BEARING., STD LOWER |
| 4 | 835544 | 1 | Sprocket | 17185 | |
| | | 1 | Gear, SPROCKET | | FOR ENGINE WITH OPPOSITE ROTATION. |
| | | | | 17185 | |
| 5 | 835059 | 2 | Key | | |
| 6 | 841240 | 1 | Crankshaft seal | | INCL.IN CYLINDERBLOCK. |
| | | 2 | Sealing | | INCL.IN CYLINDERBLOCK., FOR ENGINE WITH OPPOSITE ROTATION. |
| 7 | 841867 | 8 | Connecting rod | | (835064) MO-19205 |
| 8 | | 16 | · Hex. socket screw | | |
| 9 | 835473 | 16 | · Nut | | |
| 10 | 835273 | 8 | Bearing shell | | STD |
| | | 8 | Main bearing | | FOR ENGINE WITH OPPOSITE ROTATION., STD |
| | 835396 | 8 | Bearing | | UNDER SIZE 0,010" |
| | 835396 | 8 | Bearing | | FOR ENGINE WITH OPPOSITE ROTATION., UNDER SIZE 0,010" |
| | 835070 | 8 | Bearing | | UNDER SIZE 0,020" |
| | 835070 | 8 | Bearing | | FOR ENGINE WITH OPPOSITE ROTATION., UNDER SIZE 0,020" |
| 11 | | 1 | Flywheel | | |
| 12 | 835439 | 6 | Screw | | |
| 13 | 941909 | 6 | Spring washer | | |
| 14 | 855656 | 1 | Oscillation damper | | (841375) |
| 15 | 835482 | 3 | Screw | | |
| 16 | 942336 | 3 | Spring washer | | |
| 17 | 826465 | 8 | Piston | | STD |
| | 826466 | 8 | Piston | | OVER SIZE 0,030" |
| 18 | | 8 | · GUDGEON PIN | | |
| 19 | 826469 | 8 | Piston ring kit | | INCL.IN CYLINDERBLOCK., STD |
| | 826470 | 8 | Piston ring kit | | OVER SIZE 0,030" |
| 20 | 826477 | 1 | Vibration damper | | |
| 21 | 835407 | 1 | Pulley | | |
| 22 | 949518 | 1 | Hexagon screw | | |
| 23 | 941909 | 1 | Spring washer | | |
| 24 | 835409 | 1 | Washer | | |
| 25 | 834842 | 1 | Decal | | |
| | | 1 | Decal | | FOR ENGINE WITH OPPOSITE ROTATION. |
| 26 | | 1 | SEA WATER PUMP | | SEE GROUP 2B |
| 27 | 826500 | 3 | Stud | | |
| 28 | | 3 | Lock nut | | |
| 29 | 941907 | 3 | Spring washer | | |