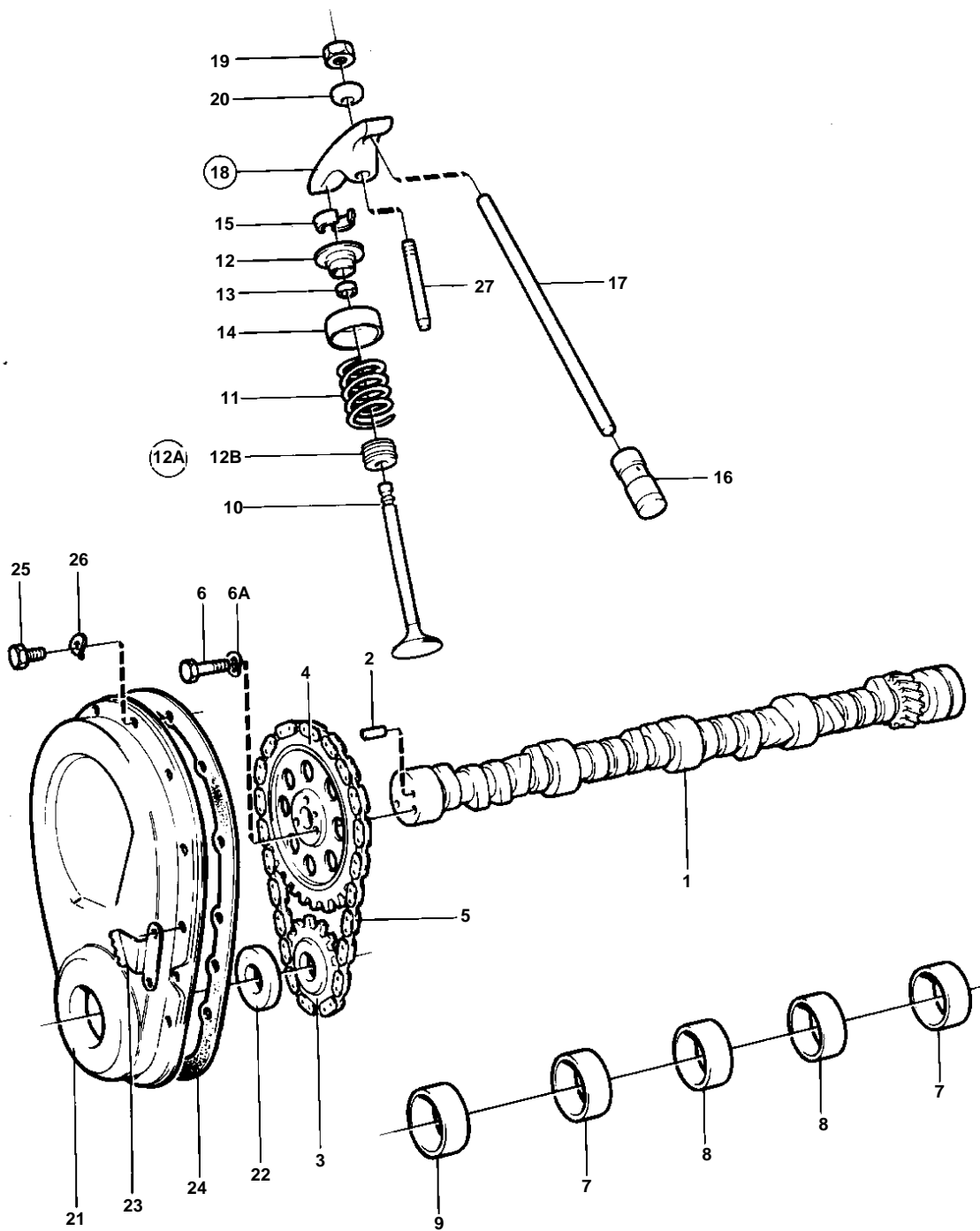


AQ225F



7210

## AQ225F

| REF | PART NO. | QTY | DESCRIPTION         | SEE SEC. | NOTES  |
|-----|----------|-----|---------------------|----------|--|
| 1   | 835465   | 1   | Camshaft            |          |  |
| 2   | 835040   | 1   | · Locating pin      |          |  |
| 3   | 855906   | 1   | Sprocket            |          |  |
| 4   |          | 1   | Sprocket            |          |  |
| 5   | 835405   | 1   | Chain               |          |  |
| 6   | 940135   | 3   | Hexagon screw       |          |  |
| 6A  | 941907   | 3   | Spring washer       |          |  |
| 7   | 841423   | 2   | Bushing             |          | INCL.IN CYLINDERBLOCK.                           |
| 8   | 841424   | 2   | Bushing             |          | INCL.IN CYLINDERBLOCK.                           |
| 9   | 841422   | 1   | Bearing             |          | INCL.IN CYLINDERBLOCK.                           |
| 10  | 835541   | 8   | Exhaust valve       |          | STD  |
|     | 841372   | 8   | Exhaust valve       |          | OVER SIZE 0,015"                                 |
|     | 841860   | 8   | Inlet valve         |          | STD  |
|     |          | 8   | Inlet valve         |          | OVER SIZE 0,015"                                 |
|     |          | 8   | Valve               |          | OVER SIZE 0,030"                                 |
| 11  | 835102   | 16  | Spring              |          |  |
| 12  | 855825   | 8   | Valve spring washer |          | FOR EXHAUST VALVE.                               |
|     | 841782   | 8   | Valve spring washer |          |  |
| 12A | 855564   | 1   | Sealing kit         |          |  |
| 12B |          | 8   | · SEAL              |          |  |
| 13  |          | 16  | · OIL SEAL          |          |  |
| 14  | 841781   | 16  | Shield              |          |  |
| 15  | 835401   | 32  | Valve collet        |          |  |
| 16  | 835089   | 16  | Tappet              |          |  |
| 17  | 841941   | 16  | Push rod            |          |  |
| 18  | 835090   | 16  | Rocker arm          |          |  |
| 19  | 841198   | 16  | · Nut               |          |  |
| 20  | 841199   | 16  | · Ball              |          |  |
| 21  | 841749   | 1   | Timing gear casing  |          | TO BE ASSEMBLED WITH INDICATOR 841038 OR 841105. |
| 22  | 835386   | 1   | · Seal              |          |  |
| 23  | 841038   | 1   | Setting indicator   |          |  |
| 24  | 855823   | 1   | Gasket              |          |  |
| 25  | 841426   | 10  | Screw               |          |  |
| 26  | 941906   | 10  | Spring washer       |          | EARLY TYPE                                       |
| 27  | 835108   | 16  | Stud                | 17189    |  |
|     | 841779   | 16  | Stud                |          | OVER SIZE 0,013"                                 |